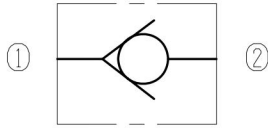


单向阀(锥阀型)
Check Valves(Poppet-type)



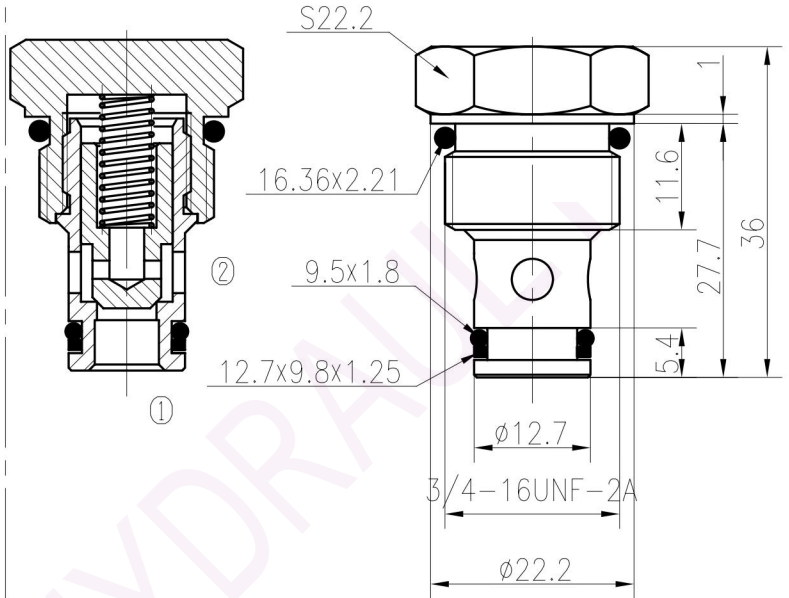
DF08-01/X.Y.Z

(替代原型号DF06-01)



技术参数 Specifications:

最高工作压力(Max working Pressure):	315bar
可通过最大流量(Flow Max):	30L/min
内泄漏量@to@(Internal Leakage):	<0.3ml/min at 210bar
过滤精度(Filtration Of Oil):	25µm or better
使用温度(Temperature):	-30~+100℃(丁腈橡胶) (Standard Buna Seals)
插孔(Cavity):	T4-1(See Page 7.1.1)
安装扭矩(Installation torque):	24.5~27.2Nm
标准阀块型号:	T4-11*/13*/14*/16*
Standard Block Model	See Page 1.5.1



此阀使用时, 允许液流以很低的压力降从①口到②口, 同时阻止液流从②口到①口。

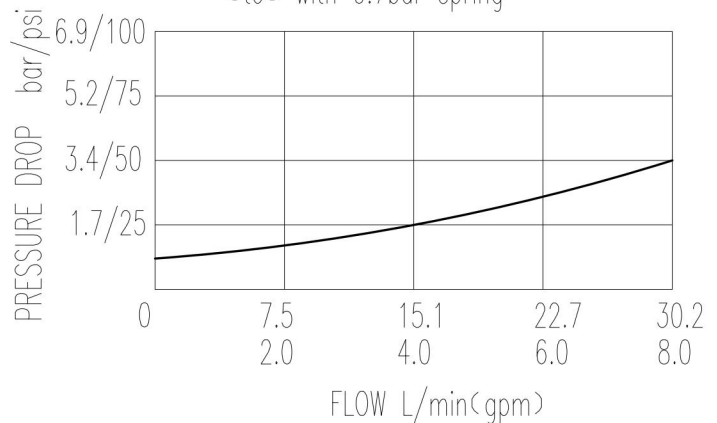
The valve allows flow from ① to ② with very low pressure drop, while blocks flow from ② to ①.

当①口压力足够大并克服弹簧力后, 允许液流从①口到②口流动。

The valve blocks flow from ① to ② until sufficient pressure is applied at ①.

32 cST Oil/45°C

@to@ with 0.7bar spring



X	阀块油口(PORTING)	Y	密封材质(SEALS)
0	Cartridge Only	N	丁腈橡胶(Buna)
4G	G1/4	V	氟橡胶(Fluor.)
8G	G3/8		
4T	SAE4		
6T	SAE6		

Z	弹簧规格 (SPRINGS)			
	开启压力 Cracking Pressure bar		开启压力 Cracking Pressure bar	
05	0.3	25	2.8	
10	0.7	30	3.5	
15	1.1	35	5.7	
20	1.3	40	10.4	