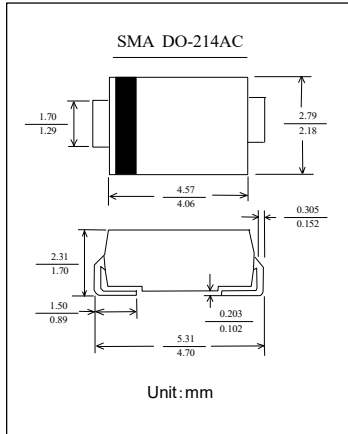


塑封快恢复高压二极管
反向电压 8KV
正向电流 5mA

Plastic Fast Recover High Voltage Rectifier
Reverse Voltage 8kV
Forward Current 5mA



特征 Features

- 适用于办公设备的高压整流
For high resolution displays or TV receivers and Working automation equipment
- 扩散结
Diffused-junction
- 具有良好的高温输出特性
Excellent high temperation output characteristics (Small leakage current at high temperature and excellent reverse characterics)

极限值和温度特性 TA = 25°C 除非另有规定。

Maximum Ratings & Thermal Characteristics Ratings at 25°C ambient temperature unless otherwise specified.

参数名称 Item	符号 Symbols	2CL08K	单位 Unit
反向重复峰值电压 Repetitive Peak Reverse Voltage	V_{RRM}	8	KV
正向平均电流 Average Forward Current	$I_{F(AV)}$	5 (正弦半波50HZ, 电阻负载 $T_a=25^\circ C$) (50HZ half-sine wave, Resistance load $T_a=25^\circ C$)	mA
正向(不重复)浪涌电流 Non-Repetitive Forward Surge Current	I_{FSM}	2 (正弦半波50HZ, 1/2周期, $T_a=25^\circ C$) (50HZ half-sine wave, 1/2 cycle, $T_a=25^\circ C$)	A
工作环境温度 Ambient temperature	T_{amb}	-40 --- +100	$^\circ C$
有效结温 Virtual Junction Temperature	T_J	120	$^\circ C$
贮存温度 Storage temperature	T_{stg}	-40 --- +120	$^\circ C$

电特性 TA = 25°C 除非另有规定。

Electrical Characteristics Ratings at 25°C ambient temperature unless otherwise specified.

参数名称 Item	符号 Symbols	2CL08K	单位 Unit
正向压降 Forward voltage Drop	$I_F = 10mA$ V_F	10	V
常温反向漏电流 Normal Temperature Reverse Current	$V_R = V_{RRM}$ I_{Rm1}	2	μA
高温反向漏电流 High Temperature Reverse Current	$T_A = 100^\circ C$ $V_R = V_{RRM}$ I_{Rm2}	5	μA
反向恢复时间 Reverse Recovery Time	$I_F = 2mA, I_{rp} = 4mA$ $1mA$ recovery trr	100	nS