

# NINGBO ZHONGWANG AUTO FITTINGS CO.,LTD

NO.50-1 TIANFENG ROAD,FENGHUA,ZHEJIANG,CHINA

TEL/FAX:0086-574-88956210/ WhatsApp: 0086-13515886684/ Whechat: 48655709

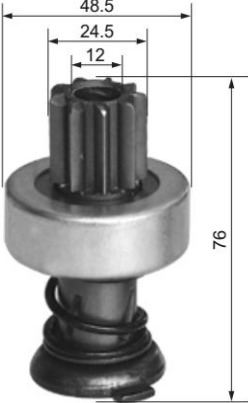


www.zowoparts.com


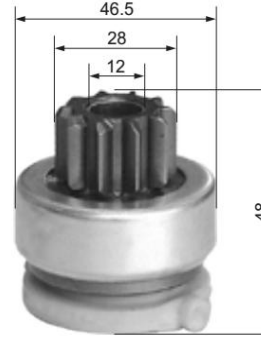

zwautoparts@vip.163.com

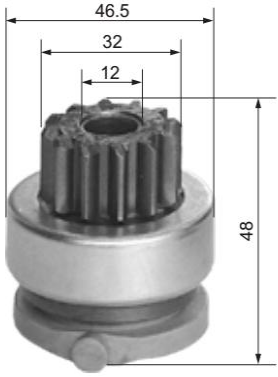
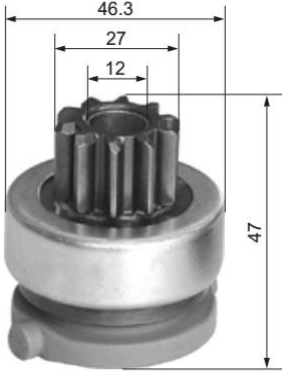



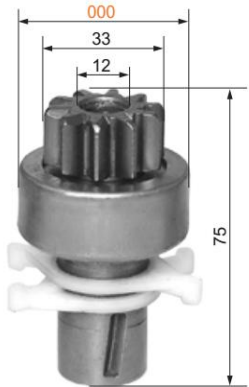


## FORD STARTER BENDIX LIST

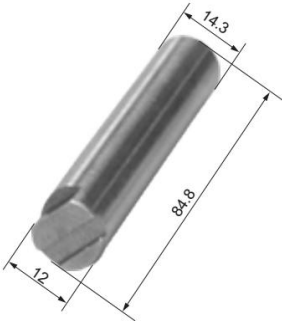
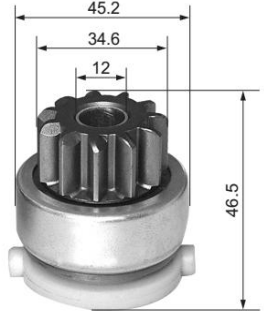
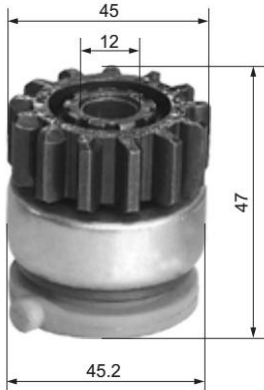
NO.	ZW NO.	OEM NO.	WAI NO.	DESCRIPTION	USED ON	FOTO
1	ZWFD001-BD	Replaces: Ford E2BF-11350-AA, E2BZ-11350-A, E2PF-11A108-AA, E2PZ-11350-A, SD320 Unit Nos: Ford E25F-11001-AA, E25Y-11002-A, E25Y-11002-A, E25Z-11002-A, E2BF-11001-AA, E2BZ-11002-A, E37F-11001-A, E37F-11001-AA, E3AF-11001-AA, E3AZ-11002-A, E3AZ-11002-A, E3TF-11001-AA, E3TZ-11002-D, E3TZ-11002-D, E47E-11001-BA, E4AF-	54-202	Ford 4 in. Mod II DD Starters SL NO:54-202 NO OF TEETH:9 NO OF SPLIN:4 ROTATION:CW	Ford (1980-1991) , Lincoln (1980-1989) , Mercury (1980-1991) , Merkur (1985-1989) , OMC (1987-1990)	
2	ZWFD002-BD	Replaces: American Motors 8983-500-399, Chrysler FO-1905, FO-1909, Delco 1972287, F2004, Ford C20F-11350-C, C3VF-11350-A, C3VF-11350-C, C40F-11350-A, C40F-11350-B, C40Z-11350-A, C40Z-11350-B, C6FY-11350-A, C6VY-11350-A, C6VY-11350-A1, C7AF-11350-A, C8VF-11350-A1, C8VF-11350-B, C8VF-11350-B1, D5AF-11350-AA, D5AZ-11350-AM, D6PF-11A108-B, D6PF-	54-204	Ford 4 in. Mod II, 4-1/2 in., 4-1/2 in. Mod I, 4-1/2 in. Mod II DD Starters SL NO:54-204 NO OF TEETH:9 NO OF SPLIN:4 ROTATION:CW	American Motors (1977-1984) , Fahr (1976-1980) , Flextrac Nodwell (1970-1975) , Ford (1961-1991) , Jeep (1983-1987) , Lincoln (1958-1988) , Mercruiser (1970-1977) , Mercury (1960-1991) , New Holland Industrial (1972-1988) , OMC (1978-1992) , Pleasurecraft (1975-1985) , Versatile (1967-1984) , Volvo Penta (1976-1977) , Waukesha (1971-1976)	

3	ZWFD003-BD	Replaces: Allis-Chalmers 3207417, 3207524, 4486601, 8120193, American Motors 3182972, 3193382, 3207416, 3207417, 3212235, 4486601, 4486602, 8120193, 9990263, Chrysler FO-1912, LM-1901, Delco 1838065, 1916775, 1938065, A2000, Denso 949100-0240, 949100-1650, 949100- 1760, 949100-4230, 949100-5250, Ford 9120102, 6655-11250-B	54-208	Ford 4-1/2 in., 4-1/2 in. Mod DD Starters SL NO:54-208 NO OF TEETH:9 NO OF SPLIN:4 ROTATION:CW	Acura (1992-1998) , American Motors (1967-1987) , Bobcat (2004-2010) , Carrier Transicold (1981-2005) , Case (1994-2012) , Caterpillar Ag. & Ind. (1979- 2003) , Chevrolet (2003-2009) , Clark (1985-2001) , Compac Equipment Mfg. (1997-2006) , Cub Cadet (1998-2004) , Daihatsu - Europe (1983-1993) , Daimler - Europe (1997-2003) , Elgin Sweeper (1989-1993) , Ford - Europe (1993-2012) , Ford LCV - Europe (1999-2002) , Geo (1992-1993) , GMC (2003- 2000) , Gravelly (1991-2007)	
4	ZWFD004-BD		54-209	SL NO:239 NO OF TEETH:9 NO OF SPLIN:3 ROTATION:CW		
5	ZWFD005-BD	Replaces: Ford E4EF-11350-AA, E4FZ- 11350-A, E4LF-11350-AA, E4LY-11350-A, SD323, SD324 Unit Nos: Ford E4EF-11001-AA, E4FZ- 11002-A, E4LF-11001-AB, E4LY-11002-A Lester Nos: 3193, 3194	54-211	Ford OSGR Starters SL NO:54-211 NO OF TEETH:9 NO OF SPLIN:4 ROTATION:CW	Ford (1984-1987) , Lincoln (1984-1985) , Mercury (1984- 1987)	

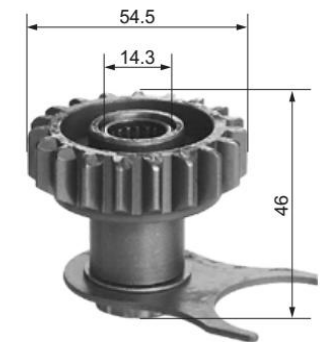
6	ZWFD006-BD		54-C-214	SL NO:54-C-214 NO OF TEETH:9 NO OF SPLIN:4 ROTATION: CW		
7	ZWFD007-BD	Replaces: Ford E9OF-11350-AA, E9OZ-11350-A, F5DU- 11350-AA, F5DZ-11350-A, SD337, SD357, Mitsubishi M690X00572, Visteon STR- C-016 Unit Nos: Ford 1379703, 1416219, 1416224, 1525795, 1F1Z- 11002-AARM, 1X4U-11000- AA, 3C24-11000-AA, 3C2Z- 11002-AA, 3C2Z-11002- AARM, 3L54-11000-AA, 3L5A-11000-AA, 3L5Z- 11002-AA, 4F19785, 4F2Z- 11002-AA	54-212	Ford PMGR Starters SL NO:54-212 NO OF TEETH:10 NO OF SPLIN:12 ROTATION: CW	Case (2004-2013) , Ford (1989-2011) , Ford - Europe (1989-2014) , Gehl (2005-2007) , Isuzu (1996-2007) , Jaguar (2002-2008) , Lincoln (1989-2002) , Mazda (1991-2011) , Mercury (1989-2011) , Mitsubishi Fuso (1994-1999) , Mustang (2007-2008) , OMC (1992-1996) , Volvo (2007-2015) , Volvo - Europe (2000-2015) , Volvo Penta (1993-1999)	
8	ZWFD008-BD	Replaces: Ford F0CF-11350-AA, F0FZ- 11350-A, SD340 Unit Nos: Ford F0CF-11000-AA, F0CU- 11000-AA, F0CU-11000-AB, F0CU-11001-AA, F0CU- 11001-AB, F0FZ-11002-B, F0FZ-11002-BRM, F4CU- 11000-AA, F7PU-11000-AA, F7PZ-11002-AA, F0FZ- 11002-B, F0FZ-11002-BRM; Ford Engineering F0CF-AA, F0CU-AA, F0CU-AB, F4CU- AA, F7PU-AA Lecter Nos:	54-214	Ford PMGR Starters SL NO:54-214 NO OF TEETH:9 NO OF SPLIN:12 ROTATION: CW	Ford (1991-1996) , Mercury (1991-1996)	

9	ZWFD009-BD	Replaces: Ford F2VU-11350-AA, F2VY-11350-A, F5VZ-11350-AA, SD341 Unit Nos: Ford 1734633, 1762873, 1858879, 1F1U-11000-AA, 1F1Z-11002-AA, 1F1Z-11002-AARM, 2S6U-11000-EA, 2S6U-11000-EB, 2S6U-11000-EC, 2S6U-11000-ED, 2S6U-11000-EE, EU2Z-11V002-RM, F2DZ-11002-B, F2VU-11000-AC, F2VU-11000-AD, F2VY-11002-A, F2VY-11002-ARM, F2DU-11000-AB	54-215	Ford PMGR Starters SL NO:54-215 NO OF TEETH:12 NO OF SPLIN:12 ROTATION:CW	Ford (1992-2005) , Ford - Europe (2002-2014) , Ford LCV - Europe (2003-2009) , Lincoln (1992-1998) , Mercury (1992-2005)	
10	ZWFD010-BD	Replaces: Ford F3RU-11350-AA, F3RZ-11350-A, SD353, Valeo 582579, A582579A Unit Nos: Ford 1061272, 1345314, 1365666, 1416221, 1416222, 1416230, 1477973, 1756793, 1904988, 2T14-11000-AA, 2T14-11000-BA, 2T14-11000-BB, 2T14-11000-BC, 4443760, 63280034, 8A01-18-40SA, 93BB-11000-HB, 93BB-11000-HC, 93BB-11000-IB, 93BB-11000-IC	54-216	Ford PMGR, PMGR External Thru Bolt Starters SL NO:54-216 NO OF TEETH:10 NO OF SPLIN:12 ROTATION:CW	Ford (1995-2004) , Ford - Europe (1993-2015) , Ford LCV - Europe (2002-2015) , Mazda (2001-2004) , Mercury (1995-2002)	
11	ZWFD011-BD	Replaces: Ford 1C3U-11350-AB Unit Nos: Ford 1C24-11000-AA, 1C2Z-11002-AA, 1C2Z-11002-AARM, 1C3U-11000-AA, 1C3U-11000-AB, 1C3U-11000-AC, 1C3U-11000-AD, 1C3U-11000-AE, 1C3Z-11002-AA, 1C3Z-11002-AARM, 2C24-11000-AA, 2C3T-11000-AA, 2C3T-11000-AB, 2C3Z-11002-AA, 3C3U-11000-AB, 3C3U-11000-AC, 3C3Z-11002-AA, 3C3Z-11002-AARM, 6C3T-11000-AA	54-217	Ford 3.0-3.5kW OSGR Starters SL NO:RM191C12331 NO OF TEETH:12 NO OF SPLIN: ROTATION:CW	Ford (2001-2010)	

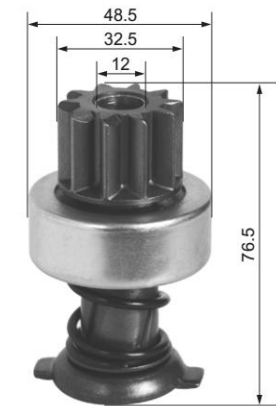
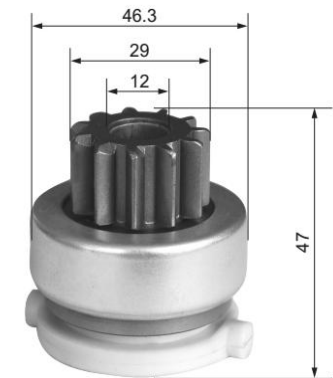
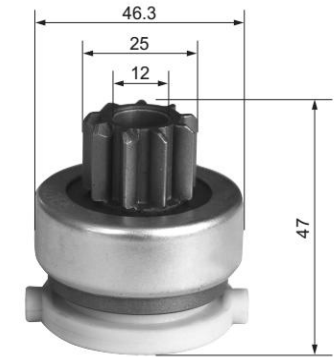
12	ZWFD012-BD	Replaces: Chrysler 2095122, 2444651, 2444658, 3755085, 3874045, 4094174, 4106360, CH- 1920, CH-1922, CH-1925, CH-1927, Delco 1972282, C2001, Ford SDC241, Ingersoll Rand 10BM-299-2, Leece Neville MO290-4229, Massey Ferguson 1035-381- M92, Schwitzer 141266, White 31-2729587, 31275227 Unit Nos: Chevrolet 1977560	54-301	Chrysler OSGR Starters SL NO:54-301 NO OF TEETH:10 NO OF SPLIN:6 ROTATION: CW	Case (1961-1992) , Chrysler (1965-1987) , Cockshutt (1969- 1971) , Dodge (1962-1987) , Massey Ferguson (1970-1979) , Plymouth (1962-1987)	
13	ZWFD013-BD	Replaces: Ford F81U-11350-AB, Original Reference Number 8828, Visteon STR-C-019 Unit Nos: Ford 1L2U-11000-AA, 1L2U- 11000-AB, 1L2Z-11002-AA, 1L2Z-11002-AARM, 1W4U- 11000-CA, 5W4Z-11002-A, 6L3Z-11002-DRM, 6W4Z- 11002-AA, 6W4Z-11002- ARM, F81U-11000-AA, F81U-11000-AB, F81U- 11000-AC, F81U-11000-AD, F81U-11000-AE, F81Z- 11000-AC, F81Z-11002-AA	54-2400	Ford PMGR Noseless Starters SL NO:76-2824 NO OF TEETH:9/12 NO OF SPLIN:12 ROTATION: CW	Ford (1999-2014) , Lincoln (1999-2013) , Mercury (2002- 2005)	
14	ZWFD014-BD			SL NO:78-2821 NO OF TEETH:22 NO OF SPLIN: ROTATION: CW		

15	ZWFD015-BD			SL NO:78-2820 NO OF TEETH: NO OF SPLIN: ROTATION: CW		
16	ZWFD016-BD	Unit Nos: Ford 1L5T-11000-AA, 1L5Z-11002-AA, 1L5Z-11002-AARM, 3S4T-11000-AB, 3S4T-11000-AC, 3S4Z-11002-AB, 4S4T-11000-AA, 4S4Z-11002-AA, 5W4Z-11002-AA, 6L5T-11000-AA, 6L5Z-11002-AA, 6L5Z-11002-AARM, 6L5Z-11002-ARM, 6S4T-11000-AA, 6S4Z-11002-AA, 6S4Z-11V002-AARM, 8S4T-11000-AA, DU2Z-11V002-BRM, DU2Z-11V002-DRM, DU2Z-11V002-FARM, EU2Z-11V002-FARM	54-218	Ford PMGR, PMGR External Thru Bolt Starters SL NO: QD2535 NO OF TEETH: 11 NO OF SPLIN: 12/6 ROTATION: CW	Ford (2001-2011), Jaguar (2000-2004), Lincoln (2000-2005), Mazda (2001-2009), Mercury (2005-2010)	
17	ZWFD017-BD	Replaces: Delco 10499852, 1948877, 800965, IHC, Navistar 146-484-C1, 800-965 Unit Nos: Case 368844R91, 395758R91, 406133R91; Delco 1107390, 1113034, 1113053, 1113197, 1113398, 1113409, 1113432, 1113434, 1113439, 1113440, 1113446, 1113489, 1113642, 1113647, 1113684; IHC, Navistar 107269C01, 120085C01	54-159	SL NO: 54-159 NO OF TEETH: 13 NO OF SPLIN: 12 ROTATION: CW Delco 10MT, 22MT, 25MT, 27MT, 30MT, 35MT, SD300 Series DD Starters	Case (1969-1985), International (1955-1984), Teledyne - Wisconsin (1967-1978)	

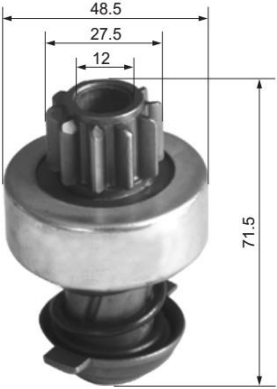
18	ZWFD018-BD			<p>SL NO:8488  NO OF TEETH:12  NO OF SPLIN:12  ROTATION: CW</p>	
19	ZWFD019-BD			<p>SL NO:8488A  NO OF TEETH:12  NO OF SPLIN:12  ROTATION: CW</p>	
20	ZWFD020-BD			<p>SL NO:QD1003  NO OF TEETH:19  NO OF SPLIN:  ROTATION: CW</p>	



21	ZWFD021-BD			SL NO:290507 NO OF TEETH:9 NO OF SPLIN:12 ROTATION: CW	
22	ZWFD022-BD			SL NO:140507 NO OF TEETH:11 NO OF SPLIN:12 ROTATION: CW	
23	ZWFD023-BD			SL NO:4-238 NO OF TEETH:10 NO OF SPLIN:4 ROTATION: CW	





24	ZWFD024-BD	Replaces: Ford E6EF-11350-AA, E6FZ-11350-A, SD311, SD327 Unit Nos: Ford E6EF-11001-AA, E6FZ-11002-A, E6FZ-11002-ARM Lester Nos: 3196	54-210	Ford 4 in. Mod II DD Starters SL NO:54-210 NO OF TEETH:10 NO OF SPLIN:4 ROTATION:CW	Ford (1985-1990) , Mercury (1985-1987)	
25	ZWFD025-BD			SL NO:850682 NO OF TEETH:11 NO OF SPLIN:12 ROTATION:CW		