



LED Mini Corn Light

BRIGHTEN YOUR LIFE

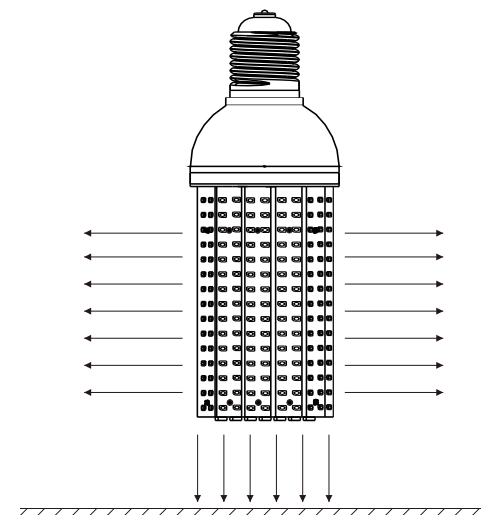
NEW LED TECHNOLOGY THAT ALLOWS THE COEXISTENCE OF ENVIRONMENTAL PROTECTION AND ENERGY SAVING

Benefits

1. Incandescent/MH/HPS/HID/MHL/CFL lamp retrofit
2. Screw Base Direct Install by bypass ballast
3. 100% Pure Aluminum Fins Heat Sink
4. Universal Base E26/E27/E39/E40
5. ETL CETL SAA TUV CE ROHS listed



HJD-XXX



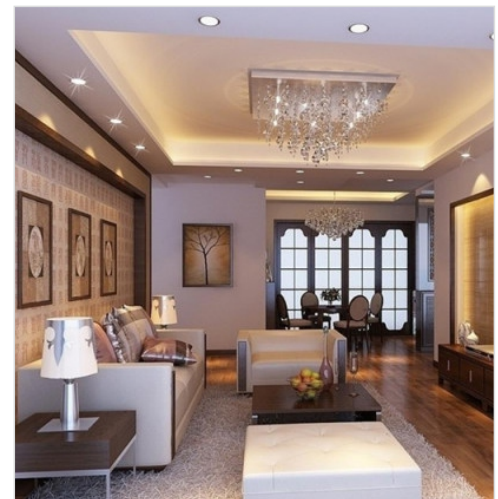
Features

1. Beam angle:360 degrees.
2. Aluminum die-casting heat sinks is good for heat dissipation.
3. It's major to replace the CFL/MH/HID/HPS.
4. Green, energy saving, long and reliable life of 50,000 hours.
5. No RF interference, No IR/UV radiation ,no mercury pollution.
6. Wide colour availability in degrees Kelvin(K),2700-6700K.
7. Streamline exterior design, beautiful appearance.
8. Environment friendly ,energy saving (70~80%).
9. Special circuit design, each LED work separately, avoiding the single broken LED influence problem.



Application

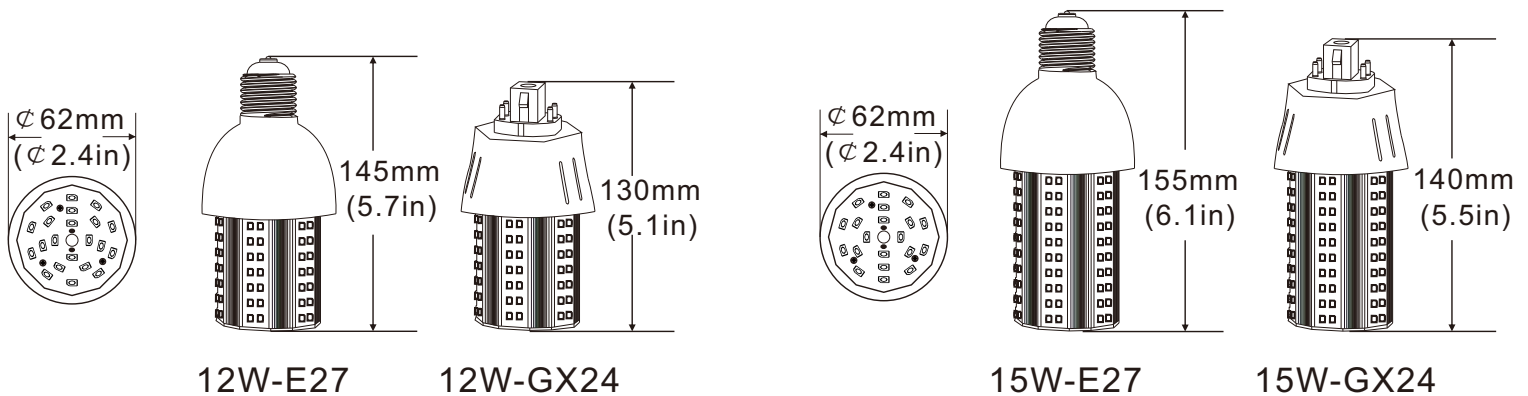
1. Wall Lamp.
2. ceiling Lamp.
3. chandeliers.
4. Table Lamp.
5. Floor Lamp.



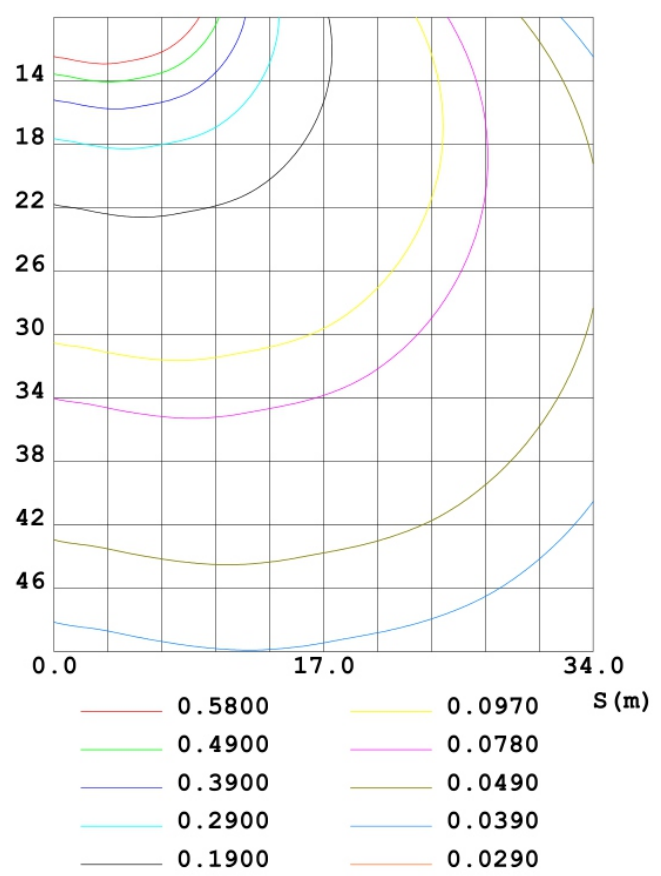
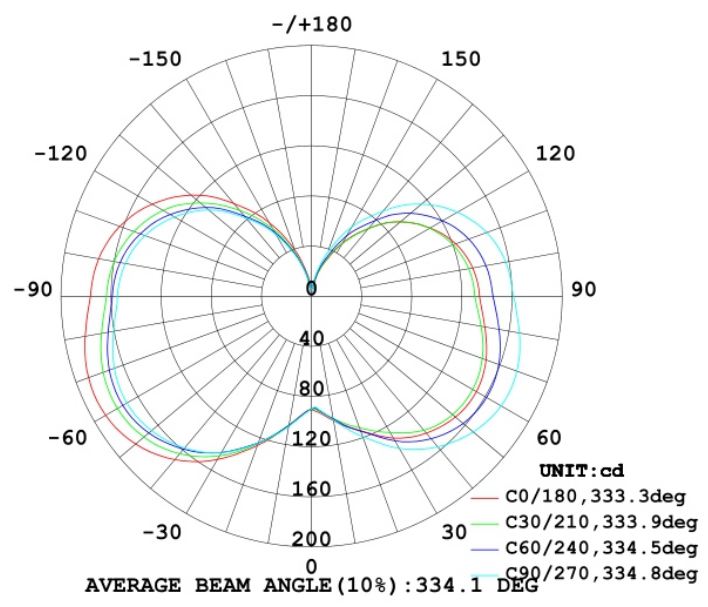
SPECIFICATIONS

Power	12W	15W
Model	BB-HJD-013	BB-HJD-014
Luminous Flux	1440lm	1800lm
Replacement	CFL/HPS 35W	CFL/HPS 45W
Light Source	SMD LED	
Luminous Efficacy	>120lm/w	
Operation Temp.	-40 to +45°C	
CCT	2700K SW / 3000K WW / 4100K NW / 5000K DW / 5700K CW	
CRI	85	
Life Span	50,000 hours at 25°C	
Voltage	100-277VAC/50-60HZ	
Driver	Internal Power Supply	
Dimming	NO	
Beam Angle	360°	
Lamp Base	E27 GX24D-1/2/3 GX24Q-1/2/3/4	
PF	>0.95	
Warranty	3Years	

DIMENSIONAL DRAWING

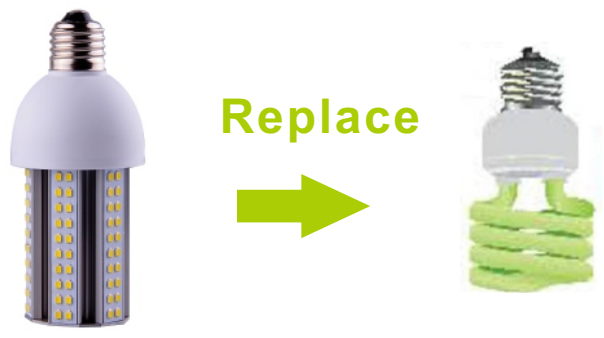


LUMINOUS INTENSITY DISTRIBUTION



PROJECTS

By using our 15W LED Corn Bulb to replace 45W Compact Fluorescent Lamp for garden lighting fixtures, the customer is now able to save a lot per month from his electric bill.



15W LED = 45W CFL



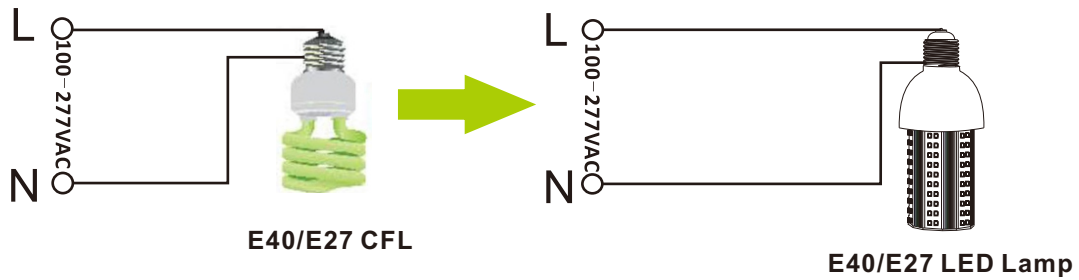
Note:

- Don't take the LED lamp apart
- The LED lamp must work under the right voltage according to the specification

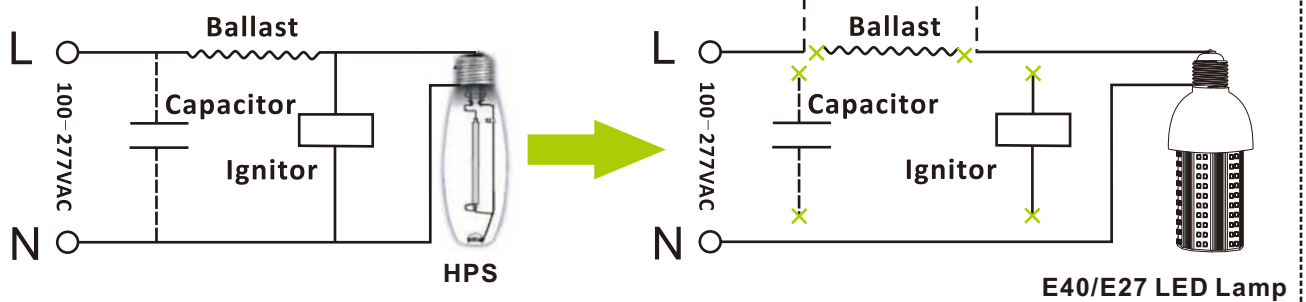
INSTALLATION

Normally. The traditional lamp has the ballast or capacitor or ignitor, like HPS, MH.

Replace E40/E27 CFL

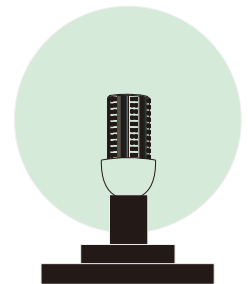


Replace HPS/MH



1. Remove the Ballast, Capacitor, Ignitor
2. Only need to put the L (live wire), N (null line) connected to the external power supply

When LED Corn Light installed in enclosed fixture, please make sure fixture diameter enough big for heat dissipation.



PACKING INFO



Items	Packaging unit	Carton Size(mm) (L*W*H)	N.W	G.W	Volume weight
12W/15W	100pcs/CTN	750*350*350mm	24.0kg	24.5kg	20.8kg