



## LED Corn Light

### BRIGHTEN YOUR LIFE

NEW LED TECHNOLOGY THAT ALLOWS THE  
COEXISTENCE OF ENVIRONMENTAL  
PROTECTION AND ENERGY SAVING

## Benefits

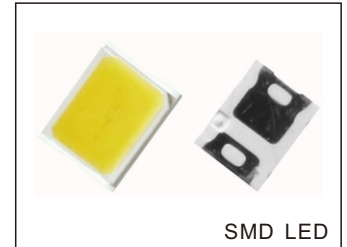
1. MH/HPS/HID/MHL/CFL lamp retrofit.
2. Screw Base Direct Install by bypass ballast.
3. 100% Pure Aluminum Die-casting Heat Sink.
4. Waterproof level: up to IP65, using a unique solid waterproof ring design.
5. Universal Base E26/E27 E39/E40.
6. CE ROHS listed.



BB-HJD-XXX-F

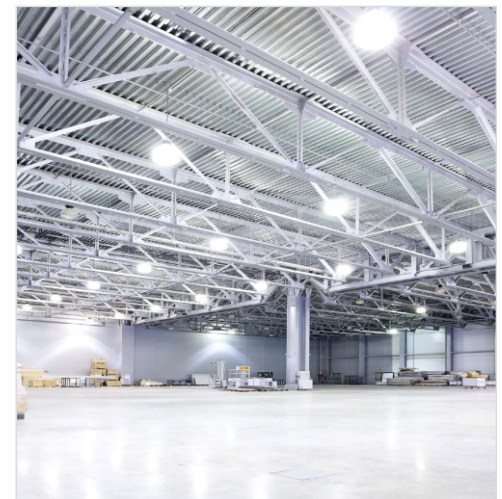
## Features

1. Beam angle:360 degrees.
2. Aluminum die-casting heat sinks is good for heat dissipation.
3. It's major to replace the CFL/MH/HID/HPS.
4. Green, energy saving, long and reliable life of 50,000 hours.
5. No RF interference, No IR/UV radiation ,no mercury pollution.
6. Wide colour availability in degrees Kelvin(K),2700-6700K.
7. Streamline exterior design, beautiful appearance.
8. Environment friendly ,energy saving (70~80%).
9. Special circuit design, each LED work separately, avoiding the single broken LED influence problem.



## Application

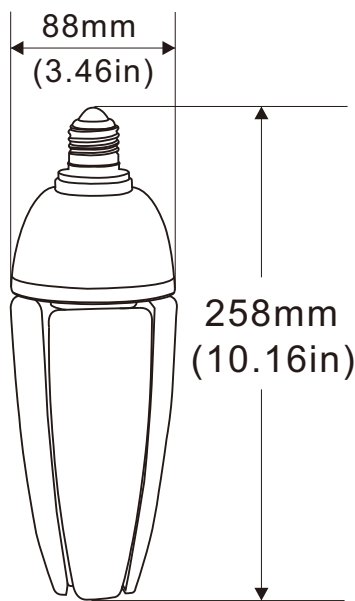
1. Sports Light/Post Top Light.
2. Flood Light/Pole Light.
3. Warehouse Lighting.
4. Roadway Light/Street Light/Billboard Light.
5. Other application roadway.



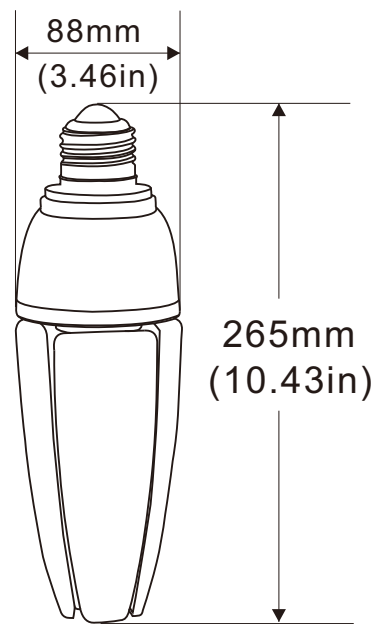
# SPECIFICATIONS

Power	30W	40W	50W
Model	BB-HJD-30W-F	BB-HJD-40W-F	BB-HJD-50W-F
Luminous Flux	3600lm	4800lm	6000lm
Replacement	HPS 100W	HPS 150W	HPS 200W
Light Source	SMD LED		
Luminous Efficacy	>120lm/w		
Operation Temp.	-40 to +45°C		
CCT	2700K SW / 3000K WW / 4100K NW / 5000K DW / 5700K CW		
CRI	85		
Life Span	50,000 hours at 25°C		
Voltage	100-277VAC/50-60Hz		
Driver	Internal Power Supply		
IP	65		
Beam Angle	360°		
Lamp Base	E26/E27 E39/E40		
PF	>0.95		
Warranty	3Years		

# DIMENSIONAL DRAWING

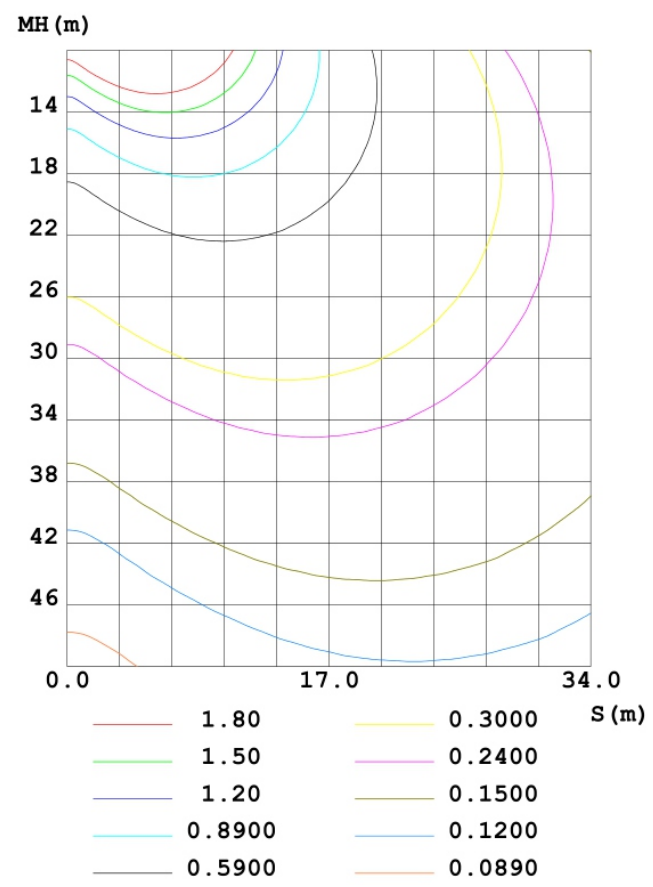
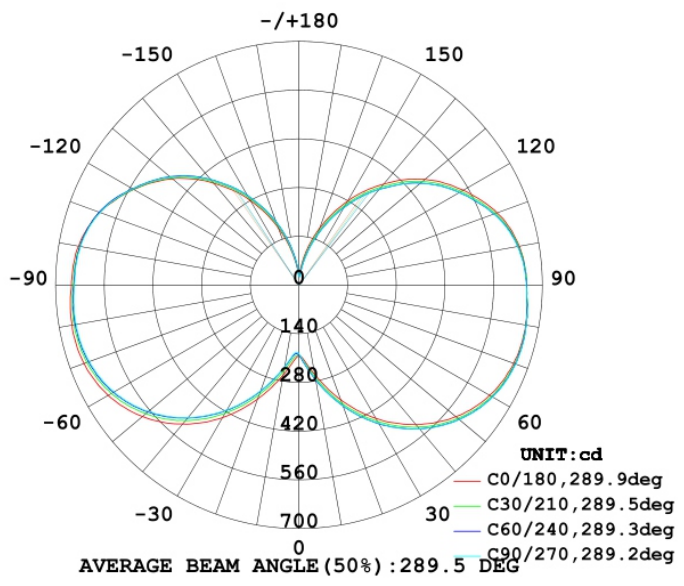


**E26/E27**



**E39/E40**

# LUMINOUS INTENSITY DISTRIBUTION



# PROJECTS

By using our 30W LED Corn Bulb to replace 100W Metal Halide bulb for garden hall path lighting fixtures, the customer is now able to save a lot per month from his electric bill.



**30W LED = 100W MH**

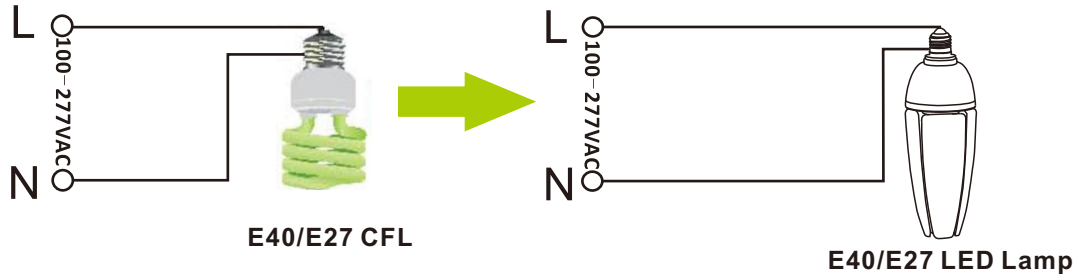
## Note:

- Don't take the LED lamp apart.
- The LED lamp must work under the right voltage according to the specification.
- Must remove the Ballast, Capacitor, Ignitor before installing our LED Light.

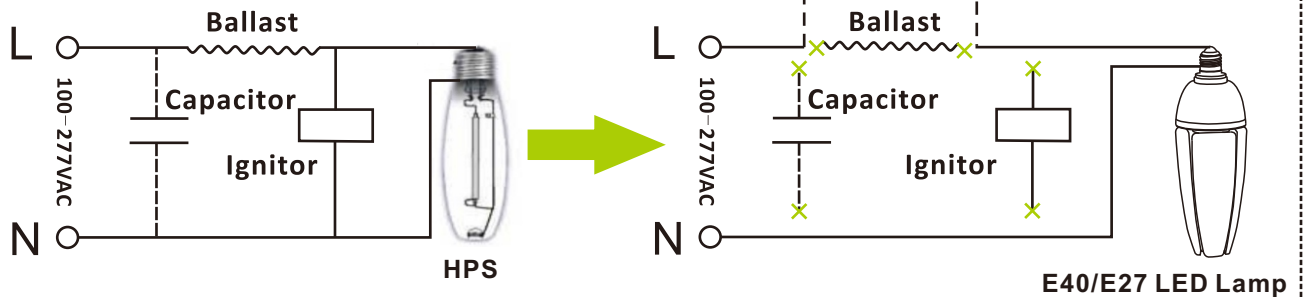
# INSTALLATION

Normally. The traditional lamp has the ballast or capacitor or ignitor, like HPS, MH.

## Replace E40/E27 CFL

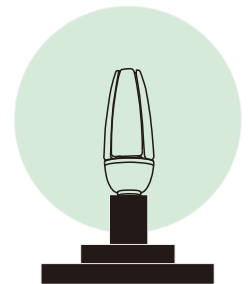


## Replace HPS/MH



1. Remove the Ballast, Capacitor, Ignitor
2. Only need to put the L (live wire), N (null line) connected to the external power supply

When LED Corn Light installed in enclosed fixture, please make sure fixture diameter enough big for heat dissipation.



# PACKING INFO



Packaging unit	Carton Size(mm) (L*W*H)	N.W	G.W	Volume weight
1pc/CTN	115*115*315mm	1.1kg	1.5kg	1.5kg
12pcs/CTN	640*370*260mm	13.2kg	14.0kg	14.5kg