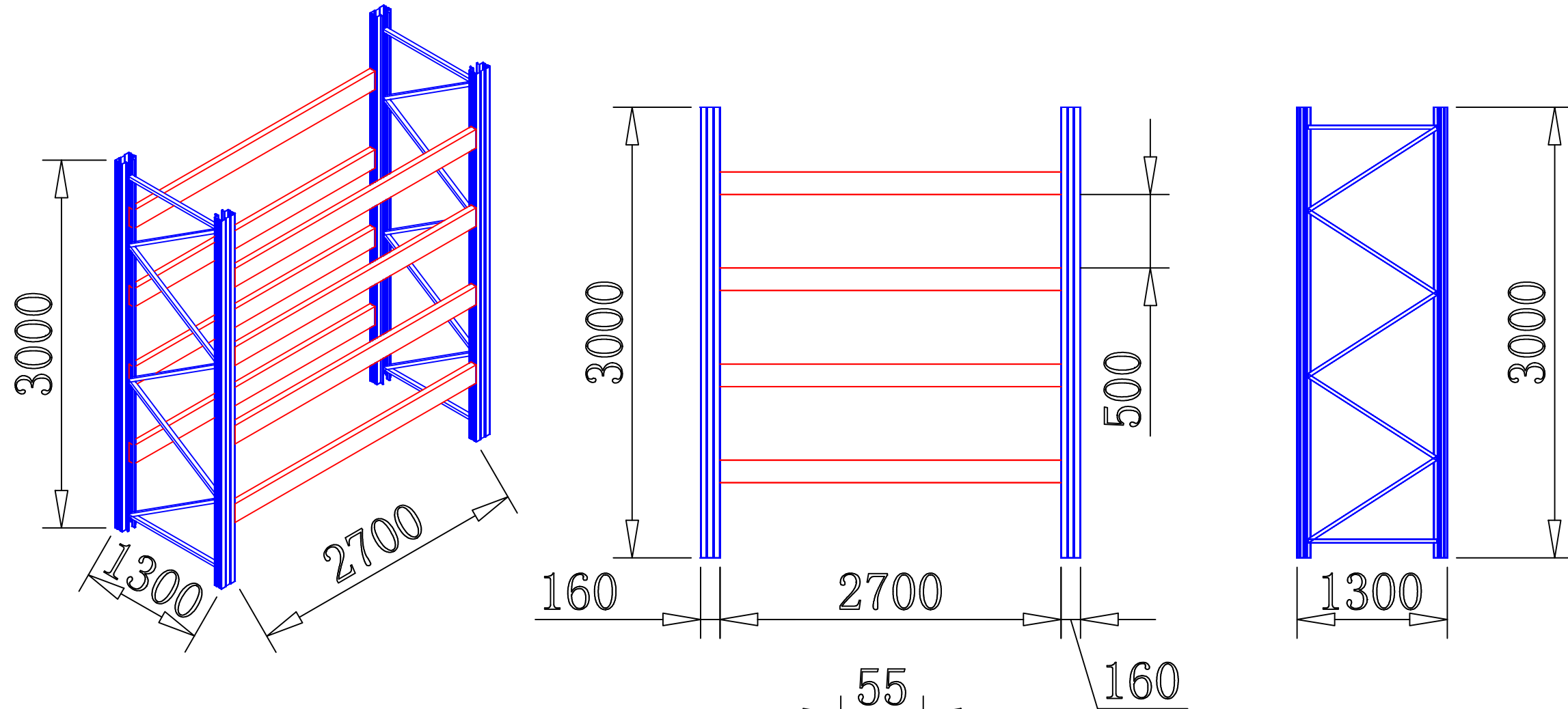


# DC-130 model warehouse rack design (5 levels , loading 3000KG/ level



Post Section,  
TH. 2.75mm

Beam Section,  
TH. 1.8mm