

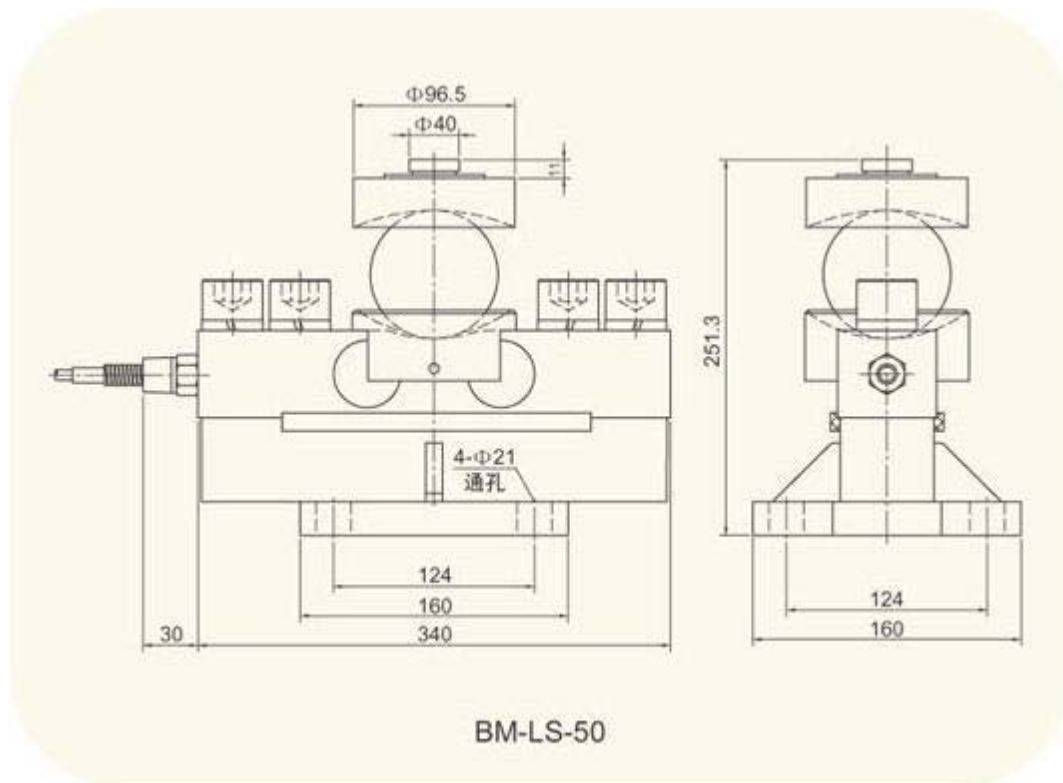
BM-LS Type Shear Beam Load Cell

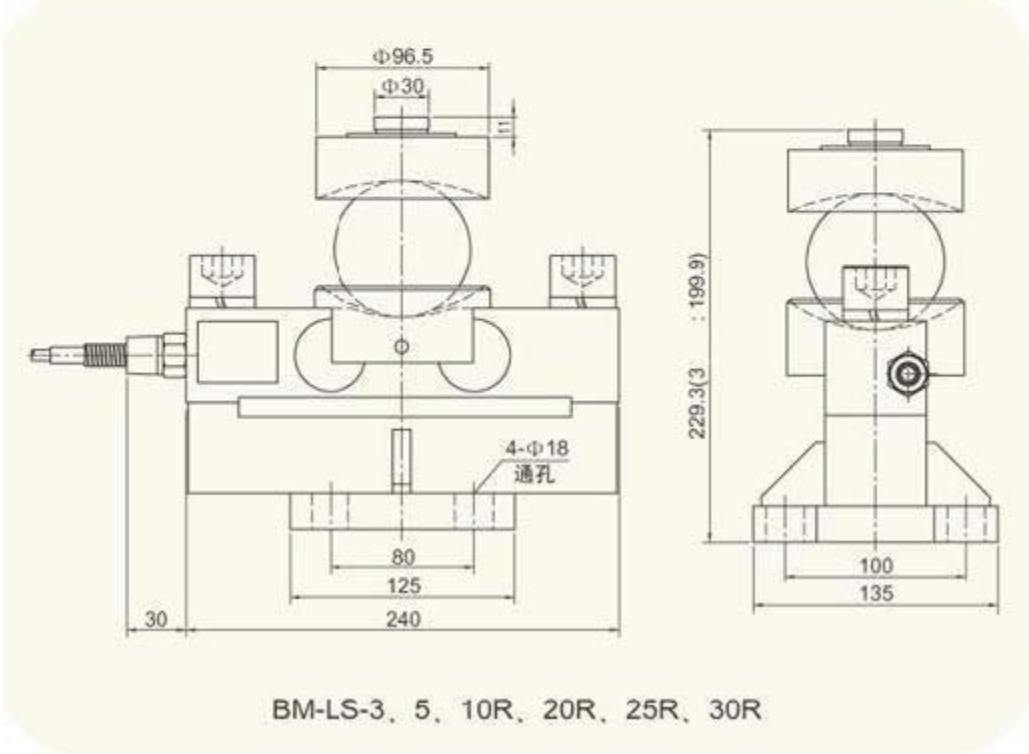
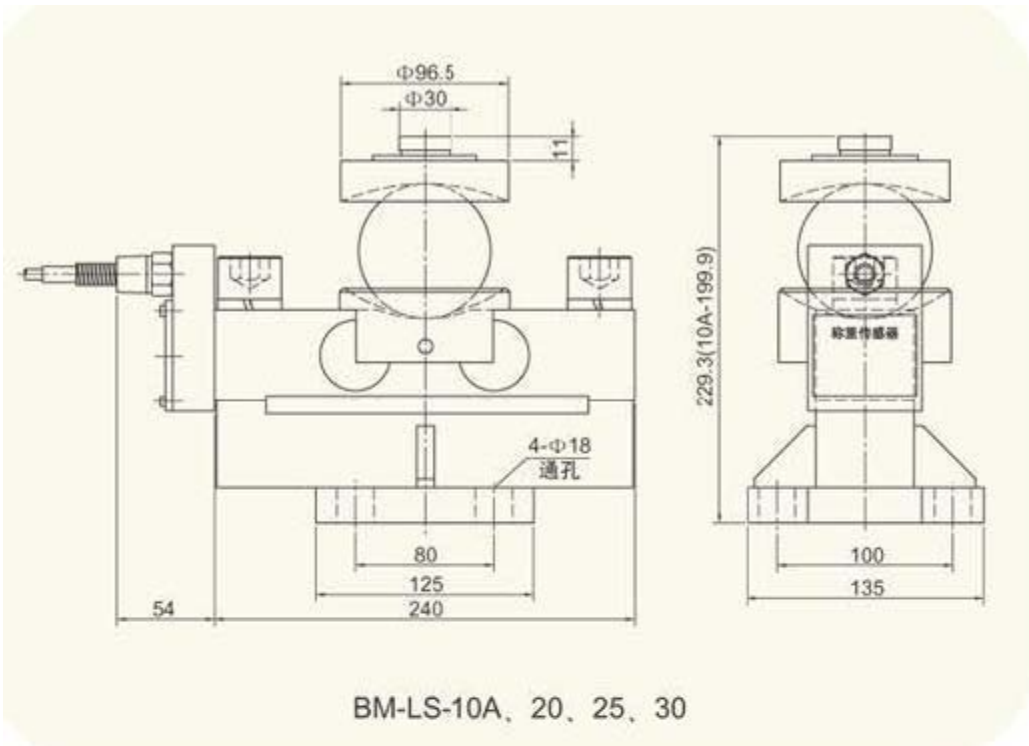
Brief introduction:

BM-LS type load cell has peculiar structure of both ends supporting, enter forced. This structure enables the load cell to have high accuracy and high reliability in measuring.

Main uses:

BM-LS type load cell has peculiar structure of both ends supporting, center forced. This structure enables the load cell to have high accuracy and high reliability in measuring. Force is transferred by pressure head and steel ball which can automatically recover and correct core. The elastic body is made of alloy steel. Cross-range force and impulsive force can be well resisted. Sealed hermetically with damp-proof material, the load cell can work properly in adverse circumstances and has protection grade specified as IP68. It is able to be used in explosive dangerous circumstance, the explosion-proof symbol is Exib II BT6. It has good compatibility and can be conveniently installed. Suitable for truck scale, track scale, hopper scale and other special scales for weighing and force measurement. It has received certificate of NTEP approval.





Technical data:

最大秤量 (Emax) Maximum capacity	t	3, 5, 10, 20, 25, 30, 50		
灵敏度 Sensitivity	mV/V	2.0 ± 0.004		
准确度等级 Accuracy class		C3	C2	0.05
最大分度数 Maximum number of load cell interval		3000	2000	
最小检定分度值 Minimum load cell verification interval		Emax /10000	Emax /7000	
综合误差 Combined error	%F.S.	0.02	0.023	0.05
重复性 Repeatability	%F.S.	0.01	0.015	0.03
蠕变 Creep	%F.S./30min	± 0.0245	± 0.0245	± 0.05
最小静载荷输出恢复值 Minimum dead load output return	%F.S.	± 0.017	± 0.025	± 0.05
温度对最小静载荷输出的影响 Temp. effect on min. dead load output	%F.S./5°C	± 0.007	± 0.010	± 0.025
温度对灵敏度的影响 Temp. effect on sensitivity	%F.S./5°C	± 0.007	± 0.009	± 0.025
最小静载荷 Minimum dead load	% Emax	1		
最大安全负荷 Maximum safe overload	% Emax	150		
极限过负荷 Ultimate overload	% Emax	200		
供桥电压 Supply voltage	V	10 - 15 (DC/AC)		
零点平衡 Zero balance	%F.S.	± 1		
输入电阻 Input resistance	Ω	770 - 830		
输出电阻 Output resistance	Ω	697 - 706		
绝缘电阻 Insulation resistance	MΩ	> 5000		
温度补偿范围 Compensated temperature range	°C	-10 - +40		
使用温度范围 Operating temperature range	°C	-30 - +70		
连接电缆 Connect cable	mm	Φ6.7 × 13000 (10t: 9000)		
接线方式 Method of connecting wire	输入 Input (+) : 红 Red 输入 Input (-) : 白 White 输出 Output (+) : 绿 Green 输出 Output (-) : 蓝 Blue 屏蔽 Shield : 黄 Yellow			