



Product Parameters

The SA-MH4104F series uses a mini body, which can be easily installed and used in small Spaces. Support dual SD card, effectively improve the storage space. The products are compatible with mainstream H.265 video decoding technology, 4G network technology, GPS/BD positioning technology, WIFI technology, etc., which are suitable for all kinds of road patrol vehicles, mixing trucks, logistics vehicles, mUCK and other industrial vehicles.

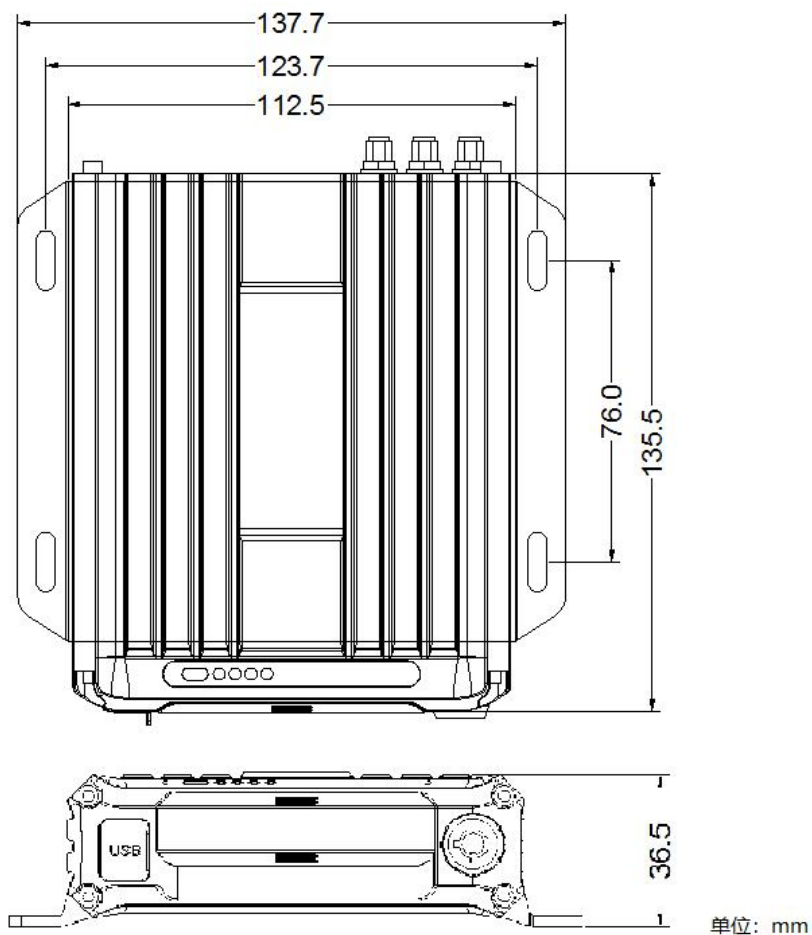
Product advantages

- The on-board interface can operate reliably and stably in complex environments
- Video encoding H.265, H.264 is optional
- Support 4G, GPS, WIFI function modules
- Rich peripheral interfaces
- Support UI human-computer interface
- Support dual SD card storage
- Support remote system maintenance

Parameters

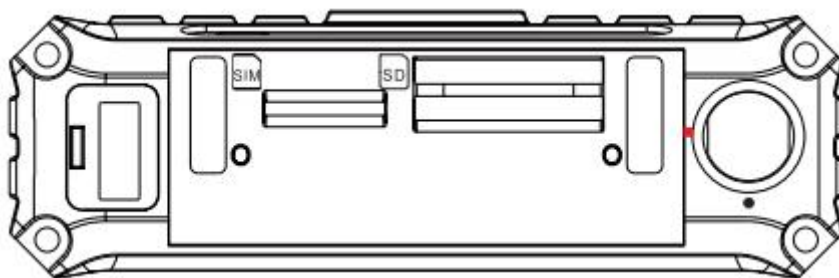
Item		parameters
Audio and Video Inputs	Video input	AHD: 4ch 1080/25fps IPC: Scalable 1-4ch
	Audio input	3ch audio input, Mic input
Audio and Video outputs	Video output	Default 1ch CVBS output (VGA output optional)
	Audio output	1ch audio output
Audio and video parameter coding	video coding	H.264 Main Profile/H.265
	• Resolution	1080P/720P/D1 optional
	audio coding	default G.726,G.711A optional
storage space	SD card	support 2 SD card
wireless network	4G wireless	support 1 SIM card, optional: All the major communication modules in the world
	WIFI	2.4/5.8Goptional
locate mode	BD/GPS	Positioning, speed detection, time synchronization
Interface	serial port	Support 1 RS232, 1 RS485 can be external sensor
	I/O	Support 4 level input, 1 output
	network interface	Support external IPC, support hybrid NVR function
	USB	USB2.0 interface, support export data, external engineering treasure
	• Intercom	1 special intercom hand mark interface
Physical Specifications	Size	135.5mm (L) *137.7mm (W) *36.5mm (H)
	Weight	NW: 0.5kg GW: 0.75 kg (SA-MH4104F-DGNE- L as a standard)
work environment	• operating Temperature	-20~+70℃
	operating humidity	8%~90% (No condensation)
Other	operator schema	Remote control
	Gravity sensor	Built in G-Sensor
	Configurable AI algorithm	ADAS、DSM、BSD

Size



Panel&interface

Front panel



Rear panel

For more information, visit www.sanan-cctv.com

