



Product introduction

SA-MH6108F is designed for vehicle video monitoring, remote video monitoring development of a high performance, high expansion and extension of the product, the use of hard disk can be self-pop-up structure design and high-speed processor NT98323 and embedded operating system, integration of IT cutting-edge field H.264/H.265 video compression/decompression, 4G network, GPS/BD positioning technology. It has the characteristics of strong earthquake resistance, simple appearance, flexible and convenient installation, comprehensive function and high reliability. Suitable for public security police, financial escort, long-distance passenger transport, road administration inspection and other vehicle movement monitoring fields.

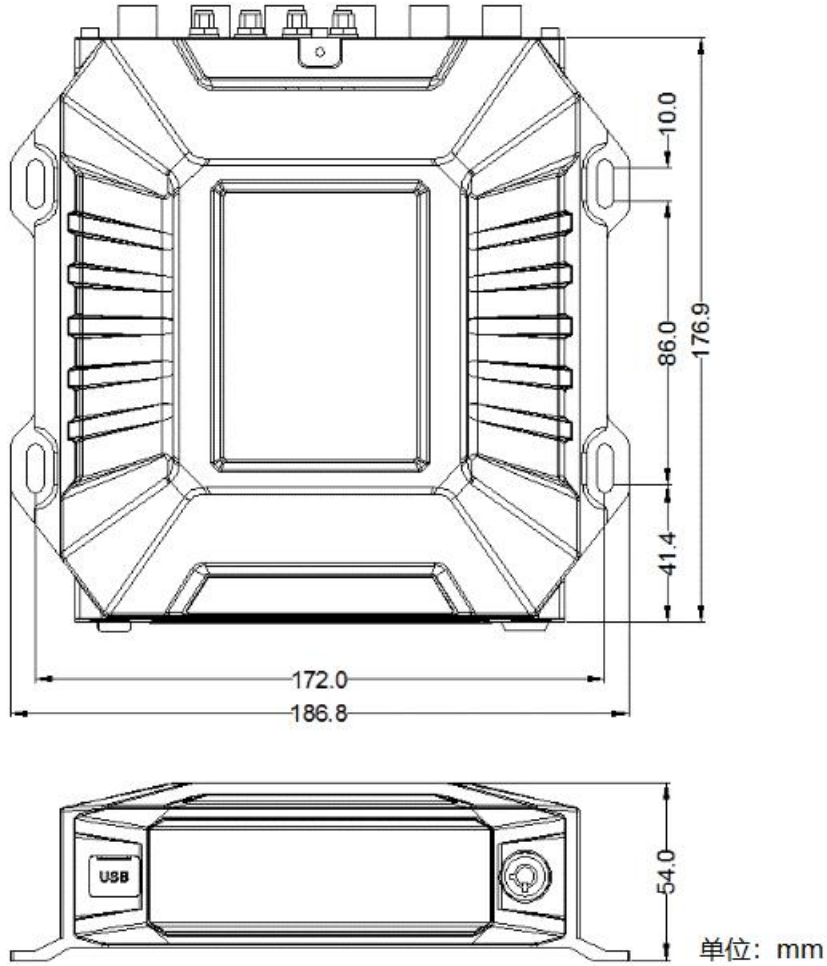
Product Advantage

- The interface can operate reliably and stably in complex environments
- Video encoding H.265, H.264 is optional
- Support 4G WIFI and GPS functional modules
- Supports a 2.5-inch optional SSD/HDD hard disk
- Supports one SD card
- Rich peripheral interfaces
- Support external UPS battery life
- High scalability

Core parameters

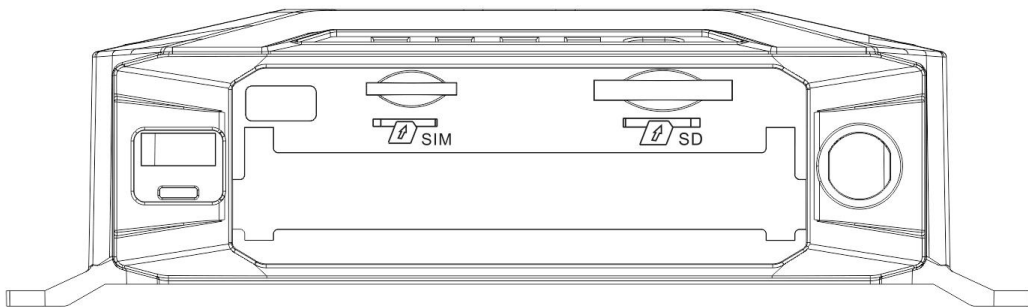
Item		parameters
Audio and Video Inputs	video input	8ch AHD audio input
	audio input	4ch audio input
Audio and Video outputs	video output	Default 1-way CVBS output (VGA output optional)
	speech output	1ch audio output
Audio and video parameter coding	video coding	H.264 Main Profile/H.265
	Resolution	1080P/720P/D1 optional
	audio coding	Default G.726,G.711A optional
storage space	HDD	1 2.5-inch optional: SSD/HDD hard disk
	SD	Support 1 SD card
wireless network	4G	Supports 1 SIM card, optional: all major communication modules in the world
	WIFI	2.4/5.8G optional
locate mode	BD/GPS	Support for mixed positioning, speed detection, time synchronization
interface	USB	USB2.0 interface, support export data, external engineering treasure
	serial port	Support 2 RS232, 1 RS485, can be connected with external sensor
	I/O	4 level inputs, 2 analog inputs, 2 alarm outputs
	network interface	Support external IPC, support hybrid NVR function
	Intercom	1 special intercom handheld mark interface
Physical Specifications	size	176.9mm (L) *186.8mm (W) *54mm (H)
	weight	NW: 1.4kg GW: 2kg (SA-MH6108F-DGNE1-L as a standard)
work environment	operating temperature	-20 ~ +70°C
	operating humidity	8% ~ 90% (No condensation)
Other	operator schema	remote control、APP、WEB
	Gravity sensor	Built-in G-Sensor
	Configurable AI algorithms	Face recognition 、People Counting、ADAS+DMS

Size



Panel& interface

Front panel



Rear panel





8CH HDD MDVR SA-MH6108F

