



Product introduction

SA-MH3104F is a high-performance, high-expansion product specially developed for in-vehicle video surveillance and remote video surveillance. etc. technology. H15Hv has a compact structure, elegant appearance, and easy installation and use. It is a basic product for lightweight applications. It is suitable for public long distance passenger transportation, road inspection and other automotive mobile monitoring fields.

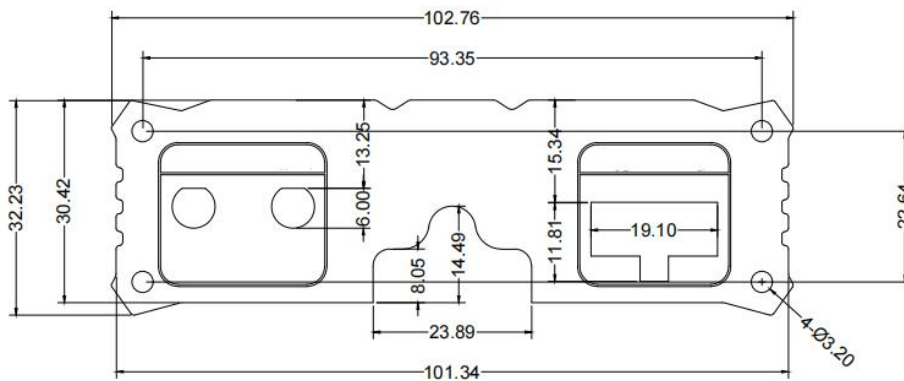
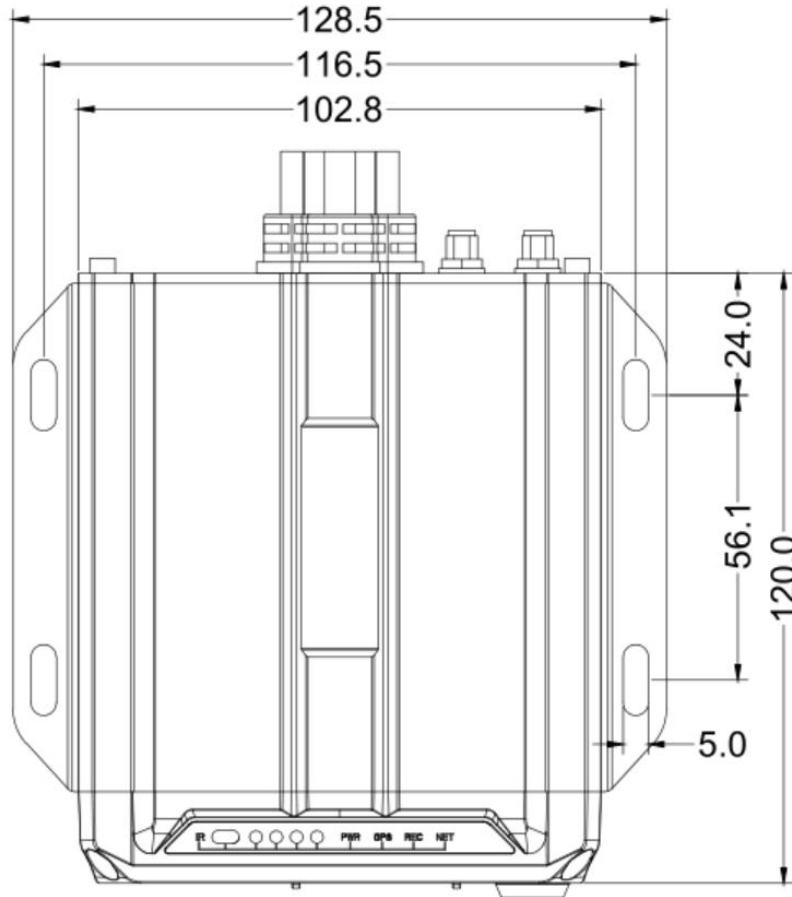
Product advantages

- The in-vehicle interface can operate reliably and stably in complex environments
- Video encoding H.265, H.264 optional
- Support 4G /5G , GPS function module
- Support one SD card
- Abundant peripheral interfaces
- Support external UPS battery life
- High scalability

core parameters

project		Parameter Description
Audio and video input	video input	AHD input: 4ch 1080P , maximum frame rate 120fps
	audio input	2 audio inputs
Audio and video output	video output	Default 1 CVBS output (VGA output optional)
	voice output	1 channel voice output
Audio and video parameter coding	video encoding	H.264 Main Profile/H.265
	Video resolution	1080P/720P/D1 optional
	audio coding	Default G.726, G.711A optional
storage	SD card	Support 1 SD card
wireless network	4G wireless	Support 1 SIM card, optional: all mainstream communication modules in the world
Targeting	Beidou/GPS	Support hybrid positioning, speed detection, time synchronization
interface	USB	1 USB interface, support exporting data
	serial port	Support 1 RS232, optional 1 RS485 , external sensor
	I/O	4 switch inputs, compatible with 1 analog input
	network port	Optional
Physical Specifications	size	100 mm (L) * 120.8 mm (W) * 32 mm (H) (excluding tail)
	weight	Bare metal: 0.6 kg FCL: 0.8kg (with M 15 Hv -SGNE1-L as standard)
working environment	Operating temperature	-20~+70°C
	Working humidity	8%~90% (non-condensing)
other	operating mode	Remote control, mobile APP, WEB
	Gravity Sensing	Built-in GSensor
	Configurable AI algorithm	Temporarily not supported

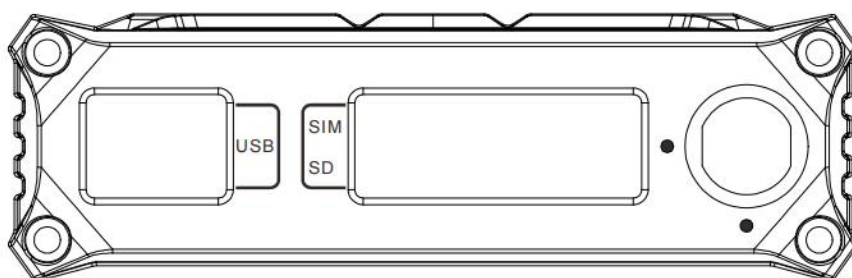
Product Size



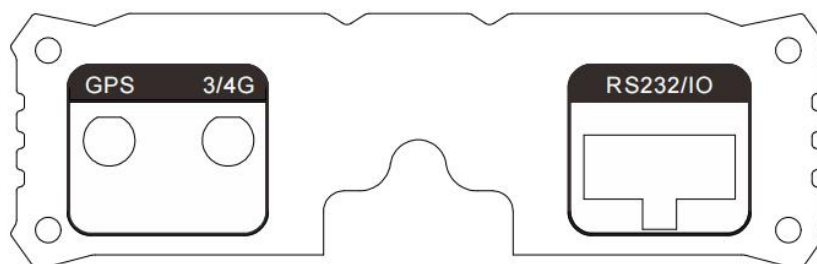
Unit: M M

Panel interface

front panel



rear panel



tail line definition

