

Wheel excavator XN75B

1. Adopting world famous brand YANMAR engine, with strong driving force, low noise, low oil consumption, and more reliable.
2. Adopting energy saving hydraulic system, main hydraulic parts using original world famous brand to guarantee the good quality and work performance. Low energy consumption, fast response speed, precision control, small impact, can keep strong mining capacity and excellent operation efficiency.
Germany brand Rexroth pump, famous RuiLong brand valve & swing motor
3. Using high performance radiator, unobstructed air flow, fast flow speed, good heat dissipation effect, stable working temperature, and long service life.
4. The welding of machine main structures use automatic welding robot, key parts welding flaw detection to ensure all parts in high strength, high quality, and to prolong the service life of the machine.
5. Good vibration and noise effect of the cab, both warm and cool air-conditioner, makes driving comfortable and safe.



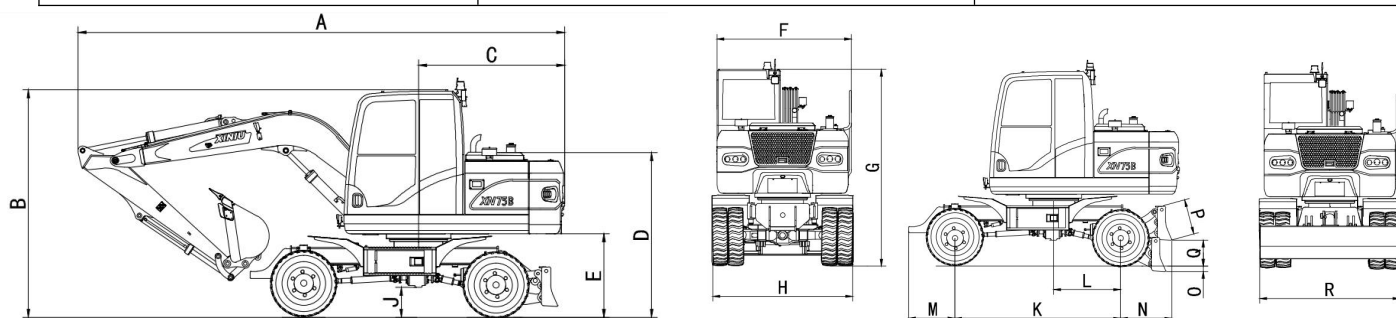
技术性能参数 SPECIFICATION		单位 Unit
整机重量 Operating Weight		6230kg
标准铲斗容量 Bucket capacity		0.3m ³
发动机 engine	型号 Model	Yanmar 4TNV94L-BVBKC
	排量 Displacement	3.054L
	额定功率/转速 Rated power / Speed	33.7kw/2200rpm
	最大扭矩 Maximum torque	193.2-210.6N.m/1260±100 rpm
最大行走速度 Max.travel speed		28km/h

ADD: Dingyuanzhai Industrial Park, 18km east of Liao Cheng, Shandong Province, China .

Mobile: 0086-18769517398 (whatsapp/viber) / 13375605958 E-mail: jessie.du5958@gmail.com / sales4@sdxiniu.com

Website: www.sdxiniu.com Skype: jessie.du40 Facebook: [du188666@126.com](https://www.facebook.com/du188666@126.com) Video link: <https://youtu.be/dyPsnTmPfVY>

速度与挖掘力 Speed/Digging force	回转速度 Swing speed	11rpm
	最大爬坡能力 Max. Grade ability	30°
液压及液体容量 Hydraulic and liquid capacity	泵型式 Pump type	变量x2+齿轮x2 Variablex2 + Gear x2
	设定压力 Pressure P1 P2	21.5Mpa
	流量 Flow rate P1 P2	60.5x2 L/min
	设定压力 P3	20.6Mpa
	流量P3	40.3L/min
	设定压力P4	2.9Mpa
	流量P4	9.9L/min
	液压油箱容量Hydraulic Tank Capacity	150L
	燃油箱容量 Fuel tank capacity	150L
	发动机燃油箱容量 Engine Fuel tank capacity	12L



A 总长度 Total length	6066mm
B 总高度 Total Height	2880 mm
C 后端回转半径 Counter weight turning radius	1820mm
D 发动机罩高度Hood Height	2052mm
E 配重离地间隙 Counterweight Ground Clearance	1040mm
F 上部回转平台总宽度Upper structure width	1944mm
G 驾驶室高度 Cab Height	2880mm
H 轮胎总宽度Total Tire Width	2070mm
J 最小离地间隙 Minimum Ground Clearance	380mm
K 轮间距 Wheel Tread	2400mm
L 回转中心至后桥间距 Distance of swing center to rear wheel	966mm
M 前部外伸量 Front Extension	668mm
N 后部外伸量Back Extension	740mm
O 推土铲最大下降量 The Maximum Reduction Of The Dozer Blade	70mm

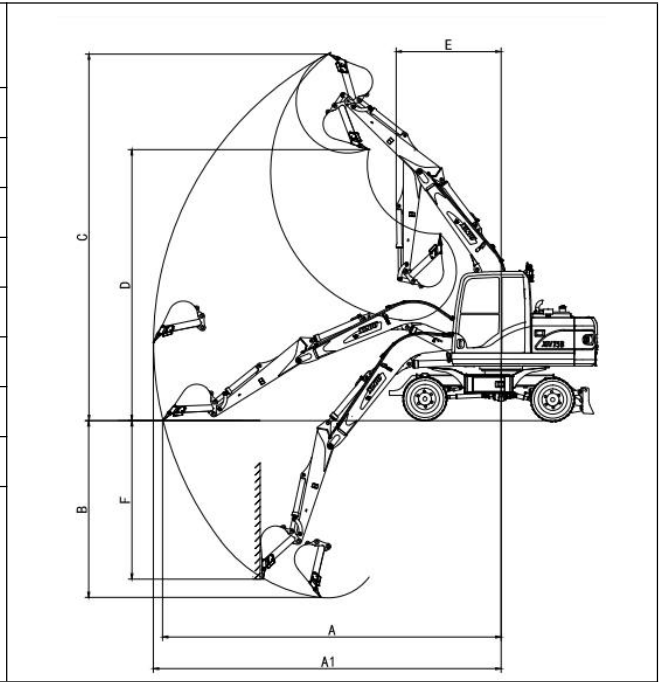


Shandong Rhinoceros Engineering Machinery CO., LTD

Shandong Landworld commercial Co.,Ltd

P 推土铲高度 Height Of Dozer Blade	510mm
Q 推土铲最大提升量 Maximum Lift Of Dozer	377mm
R 推土铲总宽度 Overall Width Of Blade	2026mm

工作范围 Range of working		
A1	最大挖掘半径 Max. Digging radius	6538mm
A	最大地面挖掘半径 Max. Digging radius on ground	6361mm
B	最大挖掘深度 Max. Digging depth	3320mm
C	最大挖掘高度 Max. Digging height	6888mm
D	最大卸载高度 Max. Dumping height	5093mm
E	最小回转半径 Minimum turning radius	1974mm
F	最大垂直挖深 Maximum vertical digging depth	2975mm
	铲斗挖掘力(KN) Bucket digging force	56mm
	斗杆挖掘力(KN) Bucket arm digging force	38mm





Shandong Rhinoceros Engineering Machinery CO., LTD

Shandong Landworld commercial Co.,Ltd

