

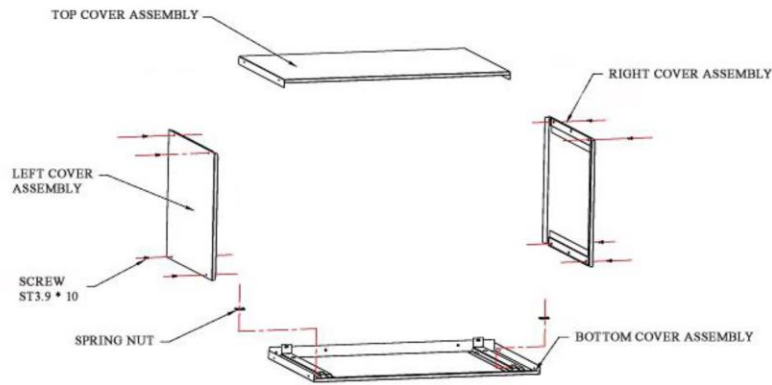


STTW-01 Thru-the-Wall Sleeve Installation Instructions

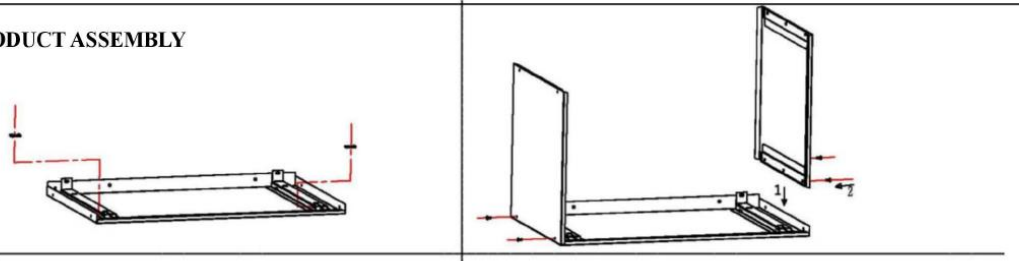
1. Assemble the wall sleeve

PACKING LIST			ATTACHMENT BAG		
NO.:	PART NAME	QTY	NO.:	PART NAME	QTY
1	TOP COVER ASSEMBLY	1	1	SCREW ST3.9 * 10	8
2	LEFT COVER ASSEMBLY	1	2	SPRING NUT	2
3	RIGHT COVER ASSEMBLY	1			
4	BOTTOM COVER ASSEMBLY	1			
5	ATTACHMENT BAG	1			

PRODUCT DIAGRAM

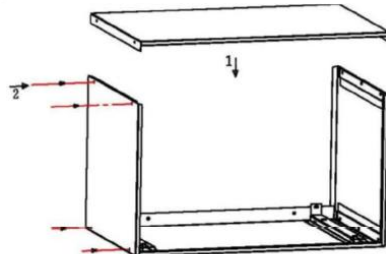


PRODUCT ASSEMBLY



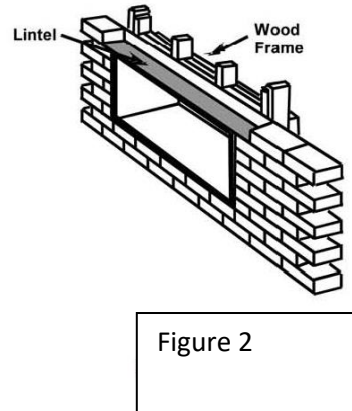
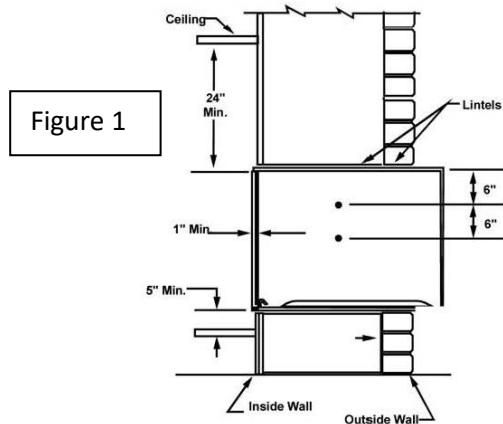
1、As shown in the picture, lock the bottom cover assembly with spring nut.

2、As shown in picture 1, insert the left cover assembly and right cover assembly on the bottom cover assembly, and then lock them tightly with screws as shown in picture 2.

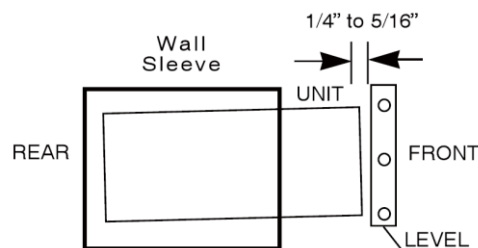


3、As shown in picture 1, install the top cover assembly on top of the left and right cover assembly, and then lock them tightly with screws as shown in picture 2.

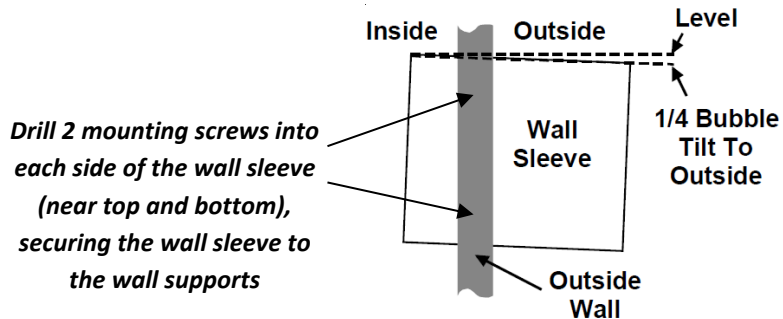
- Cut wall opening to rough-in dimensions of 26-3/16" W x 15-13/16" H x 14-3/4" D max. There must be a minimum 5" clearance to the floor and 24" clearance to the ceiling. (Figure 1) If installed in a concrete or masonry wall, a lintel must be provided in the wall opening for support. (Figure 2)



- Slide the wall sleeve into the wall opening. Do not distort the cabinet shape of the wall sleeve to fit the wall opening; the unit chassis must fit snug and uniform into the wall sleeve.
- Locate the sleeve within the range of minimum projections, so both sides are at least the minimum projection from the wall.
- Check the level of the wall sleeve. For proper drainage, the sleeve should be level from side to side and one-quarter bubble front to back (outside) about 1/4" – 5/16"



6. Drill holes in both sides of the side panels (near top and bottom) of the wall sleeve so mounting screws can be secured to wall supports. **DO NOT DRILL THROUGH BOTTOM OF SLEEVE.** Once mounted in place caulk or seal around the outside of the entire sleeve.



*Note** The type of mounting screws used will depend on the type of construction (wood, brick, metal) you are installing the unit through and are not included.*

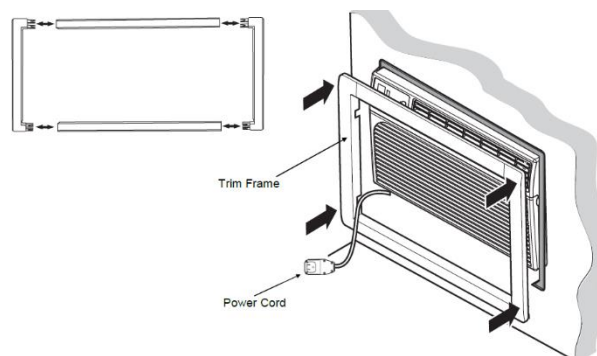
7. Remove the grille from the TTW A/C packaging and install onto the rear of the TTW A/C unit. Soleus TTW A/C's come with the grille.
8. Slide the unit into the wall sleeve



9. Install included seals between the wall sleeve and the unit. A flat-bladed screw driver or putty knife is recommended to push the seal into the opening between the wall sleeve and unit.



10. Assemble the trim frame by inserting the top and bottom pieces into the side pieces and snapping into place. Slide over the unit face until flush with the wall.



Warranty

One Year Limited Warranty

Soleus N.A warrants the accompanying Soleus Air Accessory to be free of defects in material and workmanship for the applications specified in its operation instruction for a period of ONE (1) year from the date of original retail purchase in the United States.

If the unit exhibits a defect in normal use, Soleus N.A will, at its option, either repair or replace it, free of charge within a reasonable time after the unit is returned during the warranty period.

As a condition to any warranty service obligation, the consumer must present this Warranty Certificate along with a copy of the original purchase invoice.

THIS WARRANTY DOES NOT COVER:

- Damage, accidental or otherwise, to the unit while in the possession of a consumer not caused by a defect in material or workmanship.
- Damage caused by consumer misuse, tampering, or failure to follow the care and special handling provisions in the instructions.
- Damage to the finish of the case, or other appearance parts caused by wear.
- Damage caused by repairs or alterations of the unit by anyone other than those authorized by Soleus N.A
- Freight and Insurance cost for the warranty service.

ALL WARRANTIES, INCLUDING ANY IMPLIED WARRANTY OF MERCHANT ABILITY ARE LIMITED TO ONE-YEAR DURATION OF THIS EXPRESS LIMITED WARRANTY. **SOLEUS N.A.**

DISCLAIMS ANY LIABILITY FOR CONSEQUENTIAL OR INCIDENTAL DAMAGES AND IN NO EVENT SHALL SOLEUS N.A'S LIABILITY EXCEED THE RETAIL VALUE OF THE UNIT FOR BREACH OF ANY WRITTEN OR IMPLIED WARRANTY WITH RESPECT TO THIS UNIT.

This warranty covers only new products purchased from our authorized dealers or retailers. It does not cover used, salvaged, or refurbished products.

As some states do not allow the limitation or exclusion of incidental or consequential damages, or do not allow limitation on implied warranties, the above limitations and exclusions may not apply to you. This warranty gives you specific legal rights, and you may also have other rights that vary from state to state.

For Technical Support and Warranty Service

Please Call (877) 665-9765

Or Write To:

contact@soleusna.com

www.soleusna.com