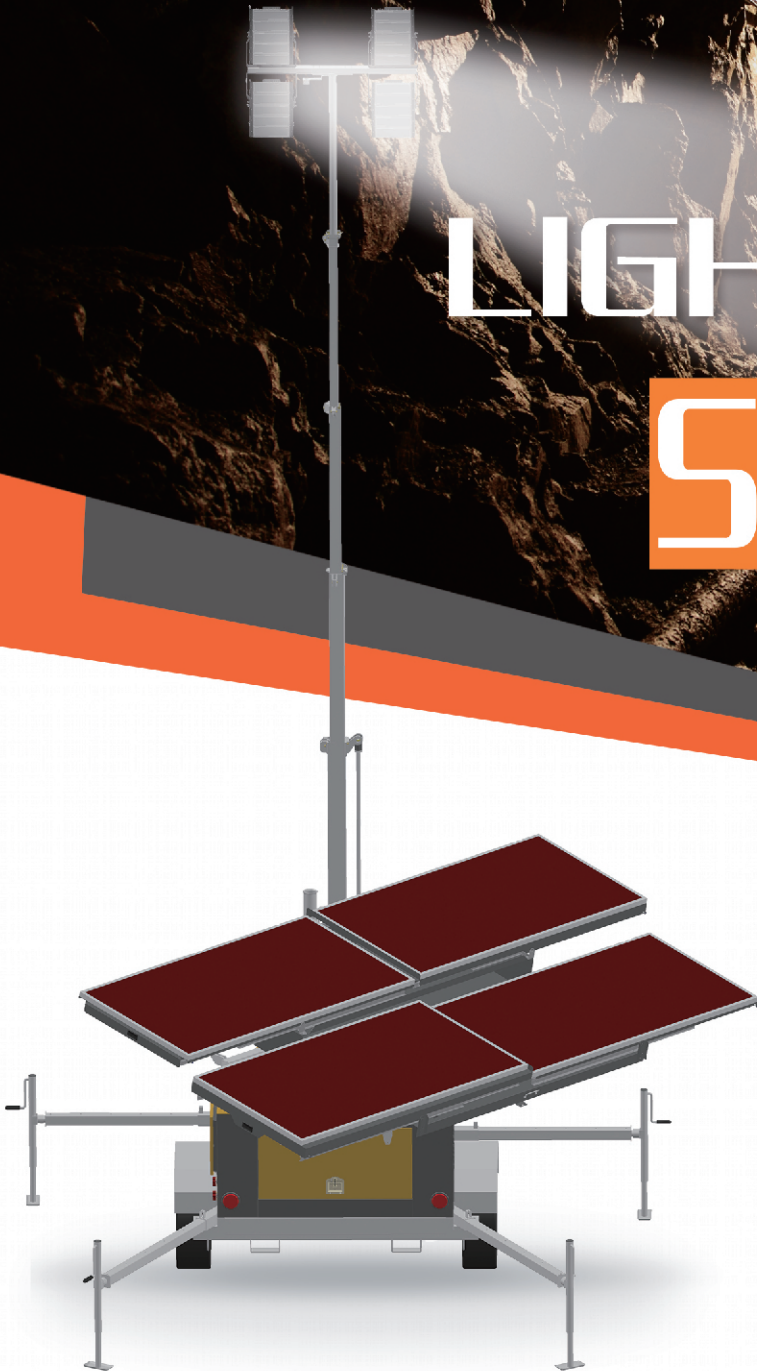


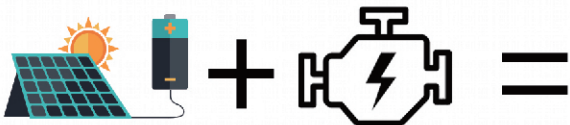
*Lighting Where You Need  
Power When You Need*

# HYBRID LIGHT TOWER

**SAVE** 40% FUEL  
MAINTENANCE  
LABOR COSTS



GRANDWATT Arizona series HYBRID is an advanced lighting tower that operates from the latest solar and battery combination, backed up by a small fuel-efficient diesel engine. Utilizing latest, hybrid technology, provide less consumed power than traditional towers for huge fuel savings and reduced CO<sub>2</sub> output. The BX9 HYBRID tower light features energy-saving LED lamps, and assemble EPA Tier4 final KUBOTA engine for long periods delivers low noise, low emission site lighting. The HYBRID is ready to light up construction sites, rail work, outside events, and for the hire and rental markets, provide continuous all-weather and all year round illumination.



**2400**  
low consumption and  
continuous illumination

**RUNNING TIME**  
before refill  
**450 h**  
Fuel Tank capacity 180 L

**RUNNING TIME**  
hybrid energy  
**630h**



# HYBRID Light Tower

## Highlight Features



4\*300 WLED  
180,000  
Lumens



8.6 meters  
Maximum height



Manual  
Lifting system



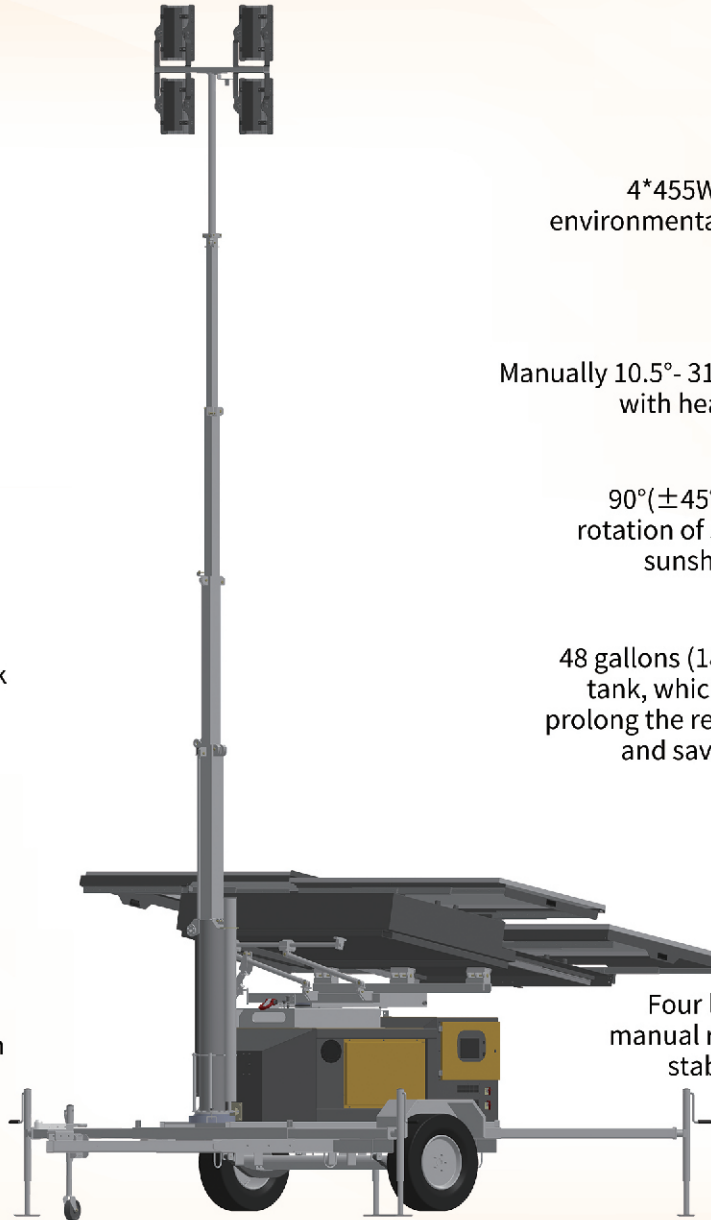
240° Manual  
rotation with selflock



**Option**  
Hydraulic  
Lifting system



359° Manual rotation  
with locking



4\*455W extendable  
environmental solar panel



Manually 10.5°- 31° adjustable  
with heavy duty jack



90°(±45°) adjustable  
rotation of solar system  
sunshine direction



48 gallons (180 liters) fuel  
tank, which can greatly  
prolong the refueling cycle  
and save labor costs



12 weeks

**Kubota**  
Kubota EPA Tier4f  
engine

Four large-scale  
manual retractable  
stabilizing legs



Solar panel sliding  
and rotation system



Phone APP Bluetooth connectivity



100Ah lithium battery

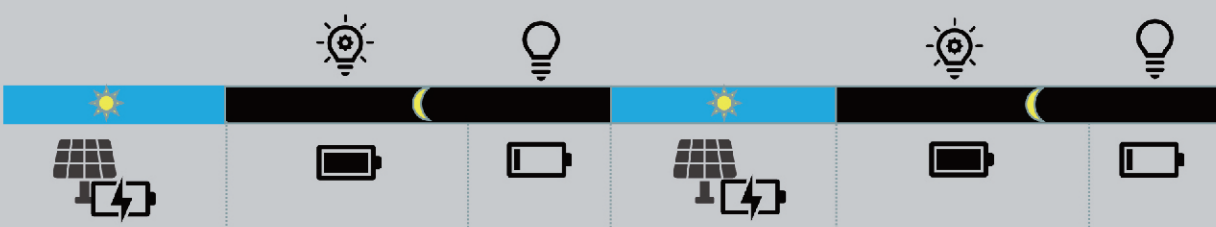
# GRANDWATT

## Comparison



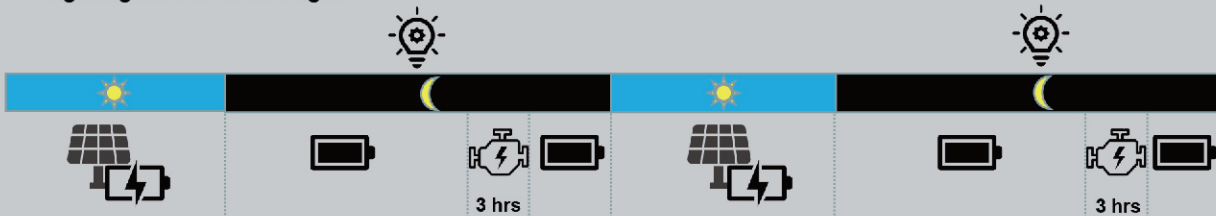
Diesel lighting tower

Diesel lighting tower, the engine must run for all night.



Solar lighting tower

When energy consumption is higher than solar yield, for example during winter months or cloudy days, lighting time is not enough.



Hybrid lighting tower

Every night, the engine just only runs for 3-4 hours, can meet all night lighting.



	Standard Model	BX9-P1200/1820	HBX9-P1200/1820
Dimensions	Length/Length for loading	3,990 mm ( 13' 1" )/2,235 mm ( 7' 4 " )	
	Width	2,200 mm ( 7' 3 " )	
	Height/Height for loading	2860mm ( 9' 5" )/2,425 mm ( 7' 11" )	
	Max. length × Max. width	4,953mm (16'3") × 4,170 mm (13'8")	
	Height fully extended	8662mm (28'5" )	
	Gross weight	2,000 kg (4,410 lb )	2,100 kg ( 4,630 lb )
Solar panel & battery system	System voltage	48 VDC	
	Solar panel	1,820 W- 4*455 W Mono	
	Retracted panel system	Manual sliding system with guide rail	
	Solar system sunshine direction	90° (±45°) adjustable rotation	
	Panel kit tilt	Manually 10.5° - 31° adjustable with heavy duty jack	
	Battery	2*100Ah lithium battery (48V)	
	Controller (Day time)	40 A MPPT controller	
Generator set	Engine model	Z482-E4B Kubota	
	Engine speed	3,600 rpm	
	Engine characters	2 cylinders, 4 cycles & Water cooling	
	Combustion/Aspiration	IDI/ Natural aspiration	
	Alternator model	LT3N-100/2 (60HZ)	
	Alternator voltage	240 VAC	
	Alternator Protecting grade	IP23	
	Controller (Night time)	Grandwatt hybrid light tower controller	
	Fuel tank	180 liters ( 48 US gal) bunded metal tank	
	Full fuel for generator running	450 hours	
	Full fuel for hybrid energy running	≥ 630hours	
		Refuel cycle	≥ 12 weeks (5 working days/week)
	Charger	1 pcs 48V/60A(DC )	
Mast & Lights	Light	4*300 W LED	
	Luminous flux	180,000 Lumen	
	Mast style	5 sections; 2,500 lb manual winch	7 sections, Hydraulic drive
	Mast rotation	Manual 240° with self-lock	359° Manual rotation with locking
	Light tilt	Manual	
Trailer	Suspension & brake	Single leaf-spring axle without brake	
	Tow bar	"A" style frame with a directional wheel	
	Forklift slots	2 sides + rear	
	Stabilizing leg	4 retractable jacks	
	Wheel	16" rim with regular tire	
	Tow Coupler	Adjustable 2" ball coupler & 2½" pintle ring	
	Tail lights	Night, turning & stopping taillights	
	Max towing speed	100 km/h ( 62 mph)	
General Data	Fuel consumption advantage	Save 40%(max) fuel than same power diesel light tower with same lighting time	
	Max. wind resistance (All solar panels retracted)	20 m/s (45 mph)	
	Max. quantity for loading in 40' high cube	5	

**Notes:**

How full the batteries be charged by solar are completely depend on the weather, season and location.



**Grandwatt Electric Corp.**

Address: 816 Curtis Saunders Ct. Chesapeake, VA 23321, USA  
www.grandwatt.com

