



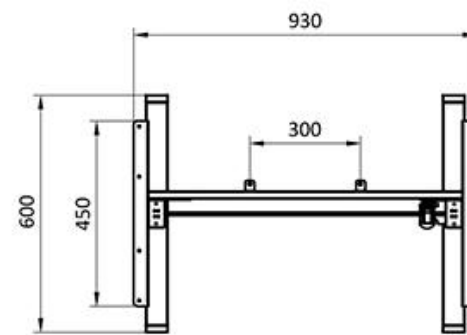
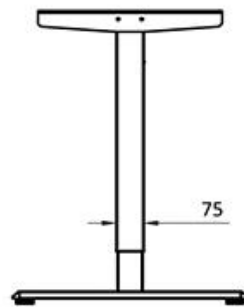
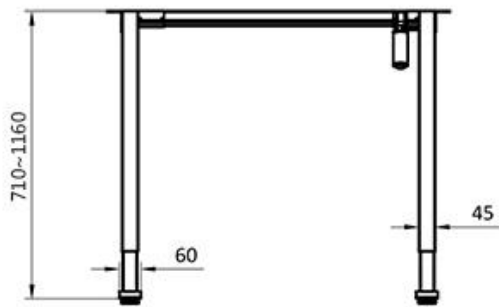
**Desk Frame Color**



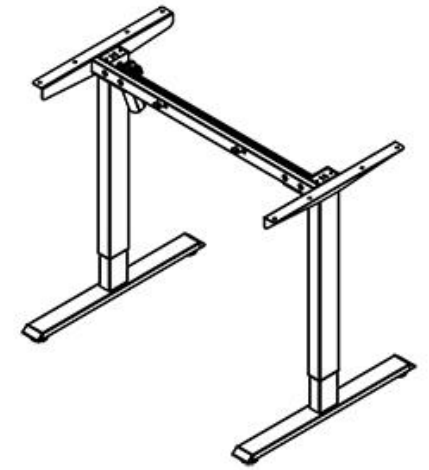
### Specifications

<b>Item No.</b>	<b>UD3A-03</b>
<b>Height Range</b>	710-1160mm (27.9"-45.7")
<b>Base Width</b>	930mm (36.6")
<b>Weight Capacity</b>	80kg (176lbs)
<b>Max.Speed</b>	22mm/s
<b>Noise Decibel</b>	<50dB
<b>Input Voltage</b>	AC 110V-220V
<b>GW/NW</b>	20 / 18KG
<b>Packing Size</b>	1080(L) x 330(W) x 143(H)mm 1/1

## Dimension



Unit:mm



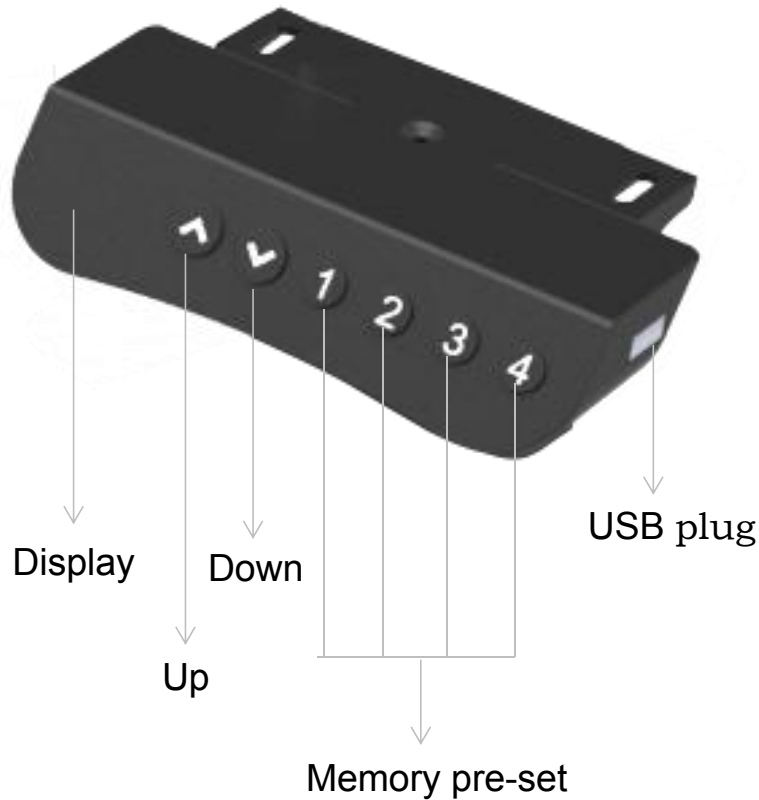








UD3A -Grey



UD3A -White

### 4 Memory Buttons Handset(With USB)



-  4 Memory Buttons
-  With the USB plug
-  CM/INCH Conversion
-  Child Safety Lock
-  Adjustable Collision Sensitivity
-  Can be customized logo

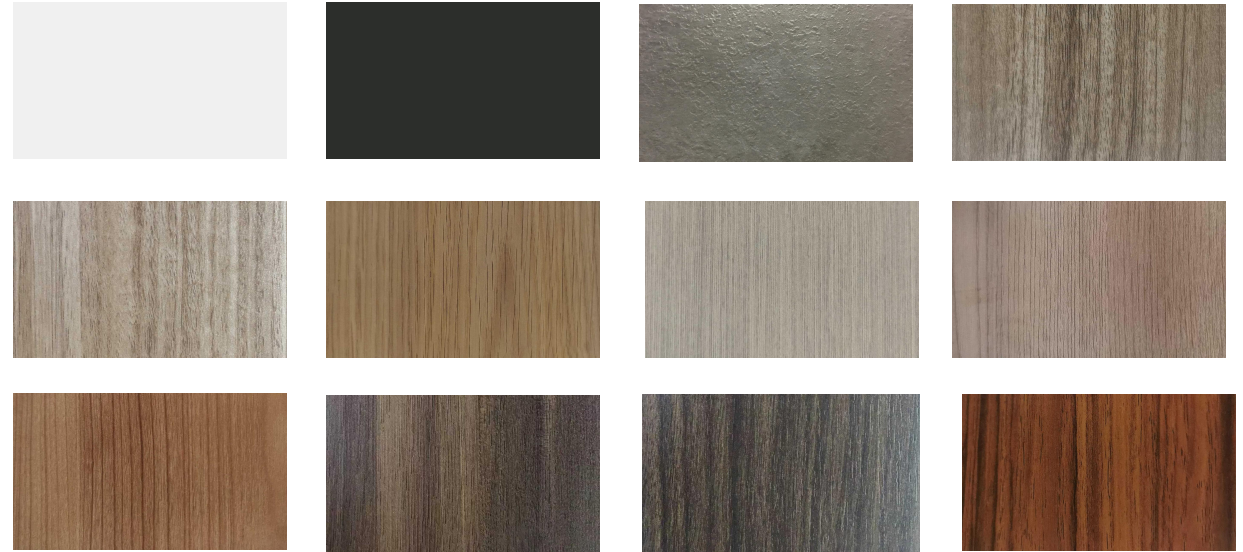
Handset Multiple choices



NO Memory Buttons(With USB)



### Desktop Colors



### Material Choices



Particle Board



Density Board

### Edge Choices



Standard Edge



## Optional Accessories

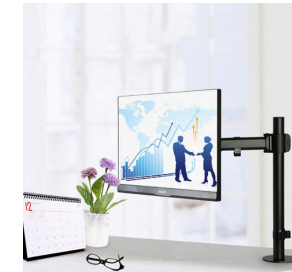
Uplift have a strong resource integration ability, we can provide you one-stop solution for desks.



Anti-Fatigue Standing Mat



CPU Holder



Monitor Arm



Office Partition



Socket



Serpentine Tube

## Package(Only frame)

Individual carton 1080 mm x 330 mm x 143 mm

Gross weight: 20kg Net weight: 18kg

20GP/40GP/40HQ:442/884/1080pcs

