



UPLIFTEC

Motion creates future

Suzhou Uplift Intelligent Technology Co., Ltd

uplift@upliftec.com

www.upliftec.com



UPLIFTEC-UD100

UD100 max load capacity 4000kg, used in super heavy solar photovoltaic bracket driving equipment.

SPECIFICATION

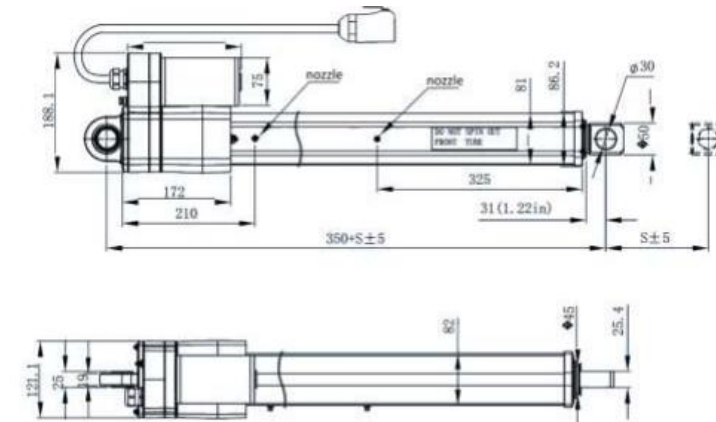
Voltage	12/24/36/48 VDC
Max. Dynamic Load	40,000N
Max. Static Load	70,000N
No- Load Speed	1.4mm/s
Full-Load Speed	1.2mm/s
Duty Cycle	10%
Protection Class	IP66
Ambient Temperature	-40°C ~ +65°C
Option	Hall Sensor



PARAMETERS

CODE	RATED LOAD(N)		RATED CURRENT(A)	RATED SPEED(mm/s)	
	PUSH	PULL		NO LOAD(24VDC)	FULL LOAD(24VDC)
A	31000	31000	9.5	1.4	1.2
B	24000	24000	7.5	1.4	1.2

DIMENSION



UPLIFTEC-UD200B

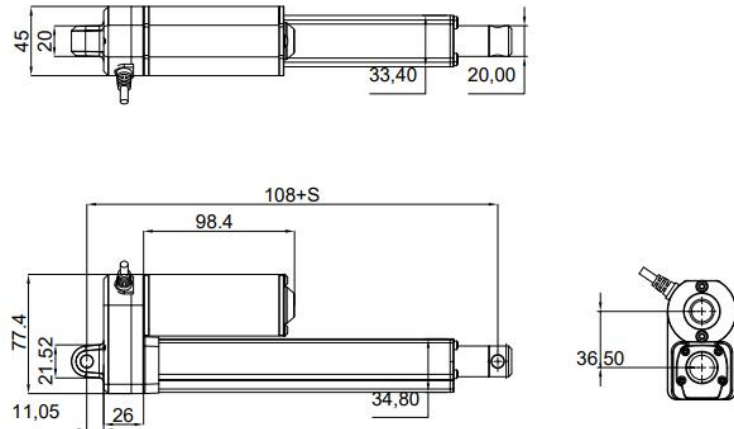
UD200B is a very compact actuator designed for industrial, medical application. It is very small, and its min. installation space is 108mm+ stroke.



SPECIFICATION

Voltage	12/24 VDC
Max. Load	2,000N
No- Load Speed	5 ~ 37mm/s
Full-Load Speed	4 ~ 22mm/s
Duty Cycle	10%
Protection Class	IP65
Noise Level	≤50dB
Ambient Temperature	-40°C ~ +65°C

DIMENSION



PARAMETERS

CODE	RATED LOAD(N)		RATED CURRENT(A)	RATED SPEED(mm/s)	
	PUSH	PULL		NO LOAD(32VDC)	FULL LOAD(24VDC)
Standard Motor (2700RPM)					
A	2000	2000	2.5	8.0	5.0
B	1000	1000	2.5	12.0	7.0
C	500	500	2.5	27.0	16.0
Fast Motor (3800RPM)					
D	2000	2000	2.8	12	7
E	1000	1000	2.8	17	10
F	500	500	2.8	37	22

UPLIFTEC-UD200C

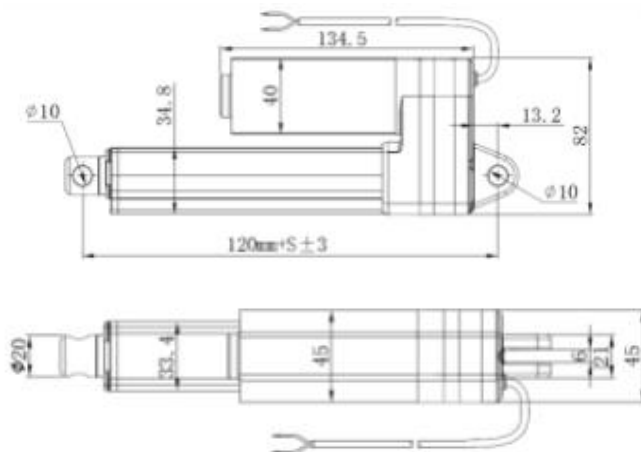
UD200C is a compact linear actuator design for electric sofa, smart recliner, electric bed, etc. It is very quiet and very suitable for applications where space is limited. Its max. load could be 3000N and Hall sensors for position feedback are available.



SPECIFICATION

Voltage	12/24 VDC
Max. Load	2,500 N (Push); 2,500 N (Pull)
No- Load Speed	5 ~ 17.5mm/s
Full-Load Speed	3 ~ 10mm/s
Installation Dimension	S + 120mm±3mm
Noise Level	≤52dB
Option	Hall sensor

DIMENSION



PARAMETERS

CODE	RATED LOAD(N)		RATED CURRENT(A)	RATED SPEED(mm/s)	
	PUSH	PULL		NO LOAD(32VDC)	FULL LOAD(24VDC)
Standard Motor (3800RPM)					
A	2500	2500	3.5	5	3
B	2000	2000	3.5	8	4.5
C	1500	1500	3.2	12	6.5
D	1000	1000	3.2	17.5	10.3

UPLIFTEC-UD300

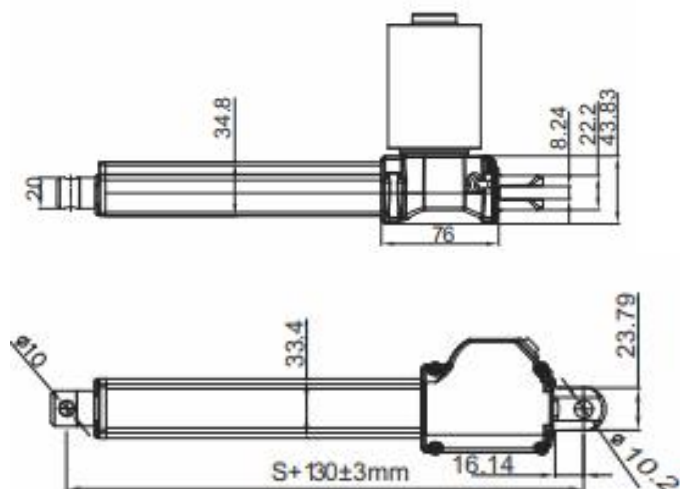
UD300 is a compact linear actuator design for electric sofa, smart recliner, electric bed, etc. It is very quiet and very suitable for applications where space is limited. Its max. load could be 3000N and Hall sensors for position feedback are available.



SPECIFICATION

Voltage	12/24 VDC
Max. Load	3,000 N (Push); 2,000 N (Pull)
No- Load Speed	5 ~ 25mm/s
Full-Load Speed	3 ~ 15mm/s
Installation Dimension	S + 130mm±3mm
Noise Level	≤52dB
Option	Hall sensor

DIMENSION



PARAMETERS

CODE	RATED LOAD(N)		RATED CURRENT(A)	RATED SPEED(mm/s)	
	PUSH	PULL		NO LOAD(32VDC)	FULL LOAD(24VDC)
Standard Motor (2200RPM)					
A	1500	1500	1.5	5	3
B	1000	1000	1.5	7	4.2
Fast Motor (3800RPM)					
C	2500	2000	3.2	8	5
D	2000	2000	3.2	12	7.5
E	1500	1500	3.2	25	15
Large Motor (3400RPM)					
F	1000	1000	3	22	13
G	3000	2000	4	7.5	4.5

UPLIFTEC-UD300B

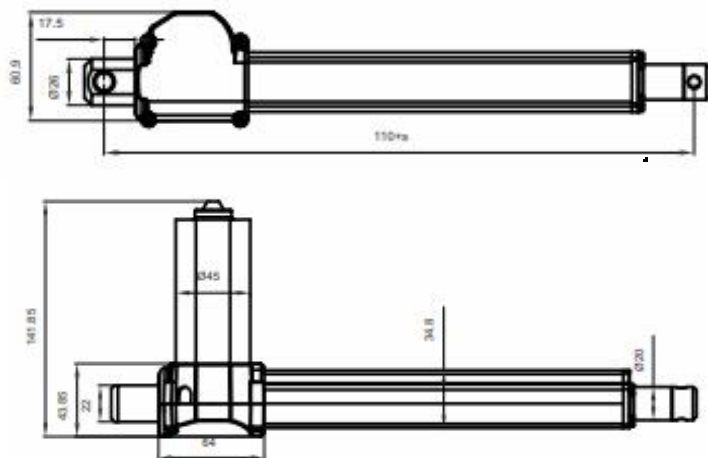
UD300B is a compact linear actuator design for electric sofa, smart recliner, electric bed, etc. It is very quiet and very suitable for applications where space is limited. Its max. load could be 3000N and Hall sensors for position feedback are available.



SPECIFICATION

Voltage	12/24 VDC
Max. Load	3,000 N (Push); 2,000 N (Pull)
No- Load Speed	5 ~ 25mm/s
Full-Load Speed	3 ~ 15mm/s
Installation Dimension	S + 110mm±3mm
Noise Level	≤52dB
Option	Hall sensor

DIMENSION

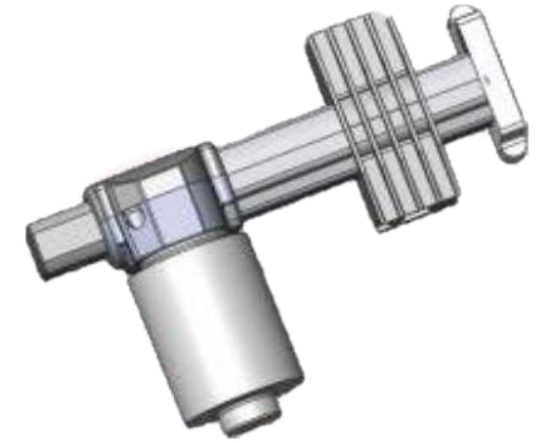


PARAMETERS

CODE	RATED LOAD(N)		RATED CURRENT(A)	RATED SPEED(mm/s)	
	PUSH	PULL		NO LOAD(32VDC)	FULL LOAD(24VDC)
Standard Motor (2200RPM)					
A	1500	1500	1.5	5	3
B	1000	1000	1.5	7	4.2
Fast Motor (3800RPM)					
C	2500	2000	3.2	8	5
D	2000	2000	3.2	12	7.5
E	1500	1500	3.2	25	15
Large Motor (3400RPM)					
F	1000	1000	3	22	13
G	3000	2000	4	7.5	4.5

UPLIFTEC-UD400

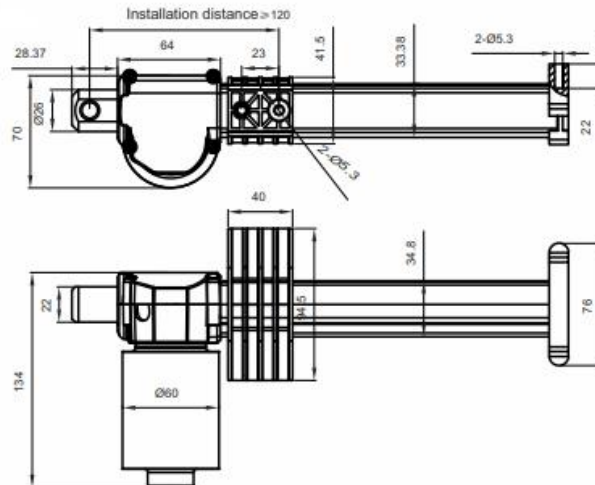
Ud400 is a linear actuator with slide design for electric electric massage chair, old-man chair, electric bed, etc.



SPECIFICATION

Voltage	12/24 VDC
Max. Load	1,000N (push); 1,000N (pull)
No- Load Speed	33 ~ 58mm/s
Full-Load Speed	20 ~ 29mm/s
Noise Level	≤52dB

DIMENSION



PARAMETERS

CODE	RATED LOAD(N)		RATED CURRENT(A)	RATED SPEED(mm/s)	
	PUSH	PULL		NO LOAD(32VDC)	FULL LOAD(24VDC)
Standard Motor (2600RPM)					
A	1000	1000	3	33	20
B	500	500	3	44	23
Fast Motor (3400RPM)					
C	1000	1000	3.5	43	26
D	500	500	3.5	58	29



Suzhou Uplift Intelligent Technology Co., Ltd

uplift@upliftec.com www.upliftec.com