

## PCB Hold Down Clamp



4#



5#



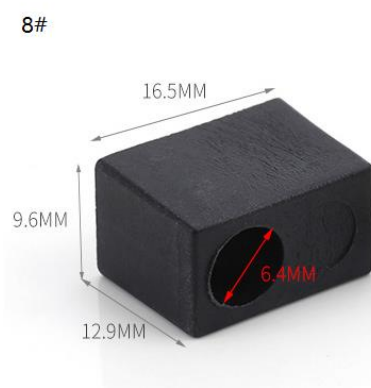
6#



7#



8#



9#



10#



12#



18#



### PCB Component Hold Down

16#



**17#**



**18#**

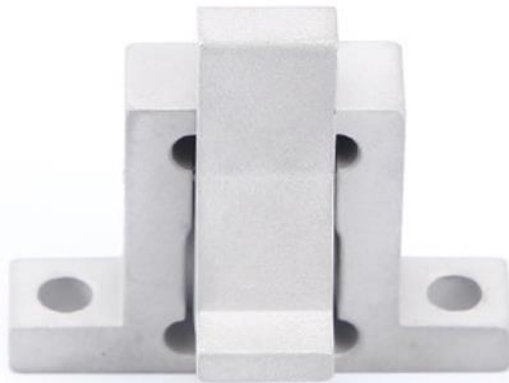


**Wave Pallet Buckle Hold Downs**

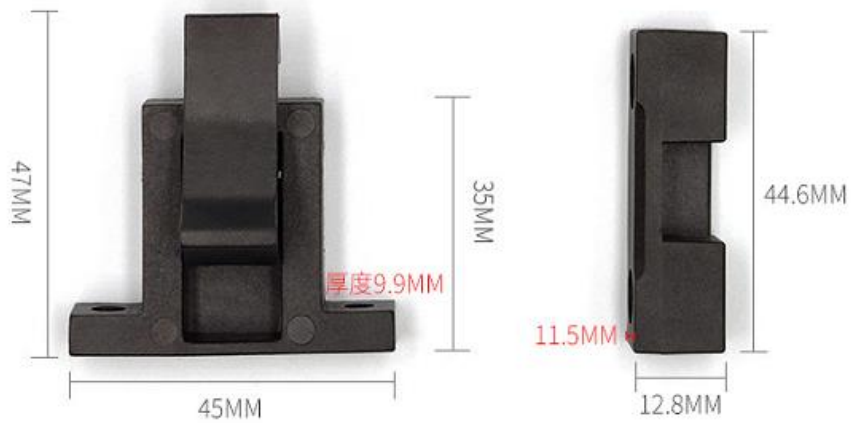
**22#**



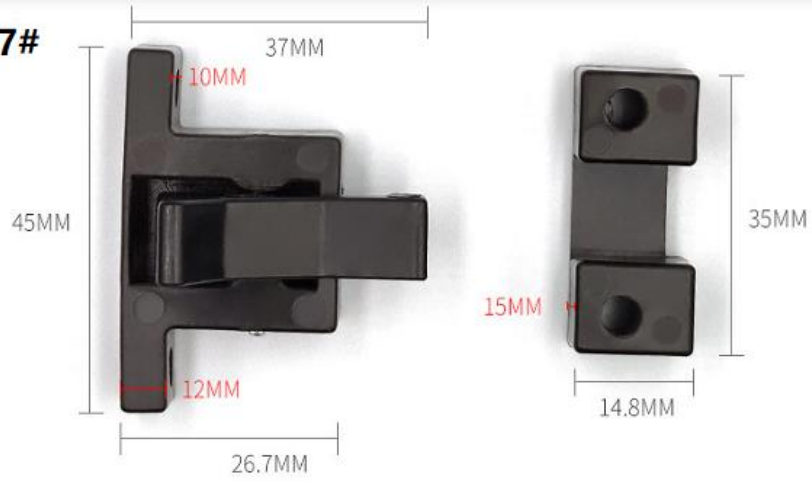
**22# in aluminum**



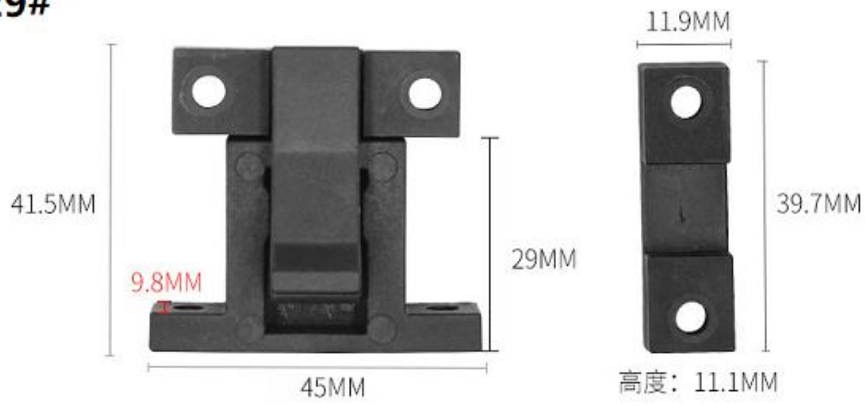
**23#**



27#



29#



Ø6 base+column



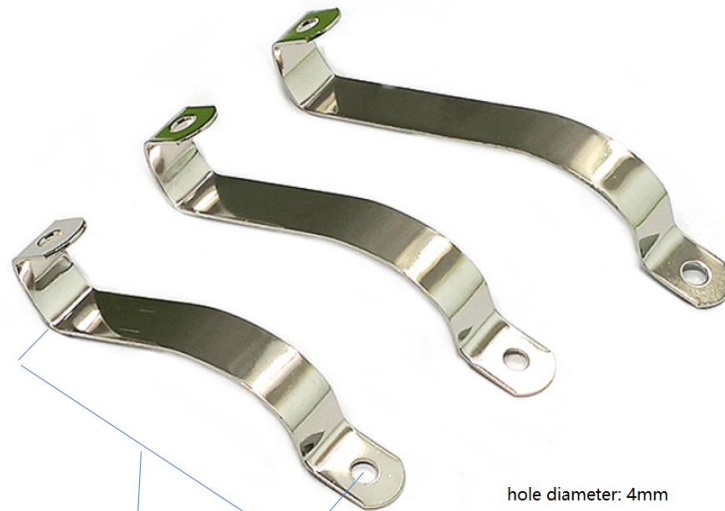
Ø8 base+column



### SMT Fixture Hold Down







length: 55/60/70/80/90/100/110/120mm

hole diameter: 4mm  
thickness: 0.8mm  
width: 9.8mm

### Tin Flow Block Bar

(Size can be customized, in aluminum alloy or fiberglass material)

