

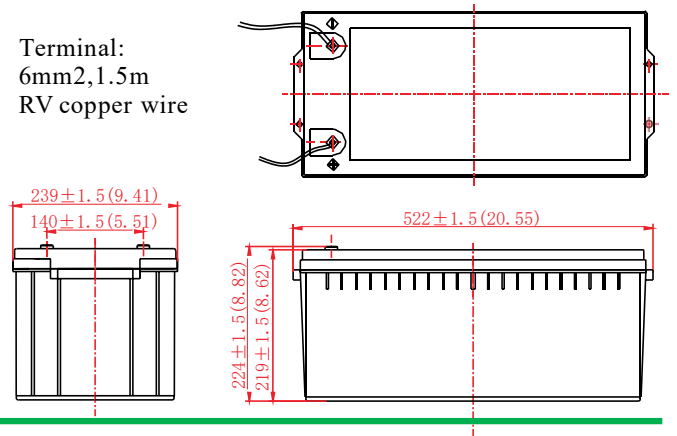


**SILICON BATTERY**

**General Feature**

- \* Specialize in Solar Accumulation System
- \* Excellent Deep-cycle performance
- \* 80% DOD is more than 800 cycles
- \* Low internal resistance and low self-discharging
- \* Operating Temperature:-40·C-70·C
- \* Floating Charging Service Life: 10 years

Terminal:  
6mm2,1.5m  
RV copper wire



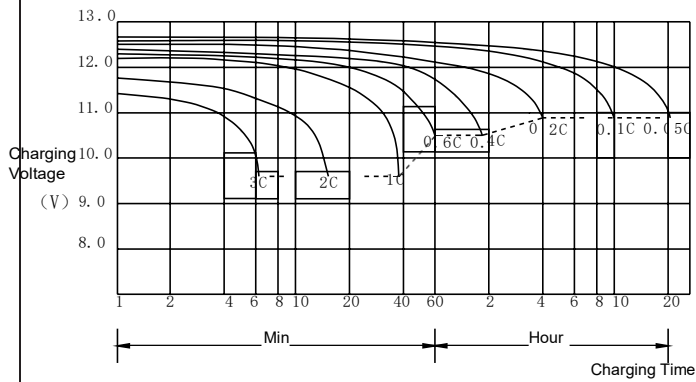
**Specification**

Normal Voltage	12V
Capacity	200Ah @ 10hr to 1.80V/cell @ 25°C (77°F)
Weight	61.0kg
Internal Resistance	Approx. 2.1mΩ
Operating Temperature Range	Discharging:- 40°C~70°C (-40°F~158°F)
	Charging:- 40°C~70°C (-40°F~158°F)
	Storage:- 40°C~50°C (-40°F~122°F)
Recommended Operating Temperature	15°C~25°C (59°F~77°F)
Floating Charging Voltage	13.5V~13.8V @ 25°C (77°F)
Max Charging Current	60.0A
Equalization Charging Voltage	14.4V~15.0V @ 25°C (77°F)
Self Discharging	Residual Capacity is more than 90% after 90 days (25°C/77°F)
Terminal	1.5m,6mm2,RV Copper Core
Contain Materials	Abs

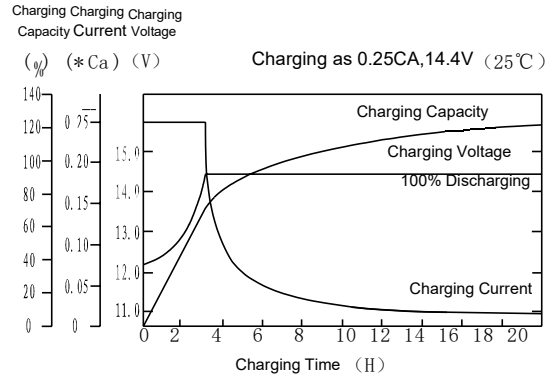
Cut-off Voltage	Constant Current Discharge Characteristics Unit: A (25°C, 77°F)														
	5M	15M	30M	45M	1h	2h	3h	4h	5h	6h	8h	10h	12h	20h	24h
1.60V	650	350	212	153	124	71.2	55.8	42.8	38.4	32.2	25.0	20.8	17.5	10.9	9.08
1.67V	610	338	208	152	123	70.8	54.8	42.6	38.0	32.2	24.8	20.6	17.3	10.8	9.00
1.70V	604	332	206	151	122	70.2	54.4	42.2	37.6	32.0	24.8	20.4	17.2	10.8	9.00
1.75V	556	320	204	150	121	68.4	53.8	41.8	37.2	31.8	24.2	20.2	17.2	10.7	9.00
1.80V	498	300	195	144	117	67.8	53.4	41.6	36.2	31.2	24.0	20.0	17.0	10.6	8.98
1.83V	476	274	191	139	112	67.0	51.6	39.8	35.0	30.2	23.8	19.3	16.3	10.6	8.84
1.85V	446	266	177	134	109	64.4	50.2	39.2	34.2	29.4	23.0	19.1	16.2	10.4	8.76

Cut-off Voltage	Constant Power Discharge Characteristics Unit: W (25°C, 77°F)														
	5M	15M	30M	45M	1h	2h	3h	4h	5h	6h	8h	10h	12h	20h	24h
1.60V	1172	662	412	310	252	145	106	83.8	70.6	61.0	47.2	38.8	32.6	20.8	17.5
1.67V	1128	650	410	308	250	144	104	83.6	70.6	60.6	46.8	38.4	32.6	20.8	17.5
1.70V	1122	642	410	308	250	144	104	83.4	69.6	60.0	46.6	38.2	32.4	20.8	17.5
1.75V	1060	638	408	308	246	143	103	83.2	69.6	59.8	46.2	38.0	32.2	20.8	17.5
1.80V	972	602	398	300	246	143	103	83.0	68.4	59.4	46.0	38.0	32.2	20.8	17.4
1.83V	942	552	394	292	234	141	101	80.0	67.0	57.6	45.6	37.0	31.2	20.6	17.3
1.85V	892	538	366	280	228	136	97.8	79.0	65.4	56.4	44.2	36.6	30.8	20.2	17.2

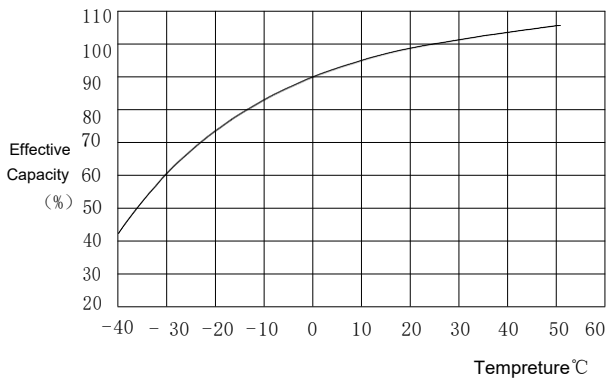
### Discharging Characrictic (25°C, 77°F)



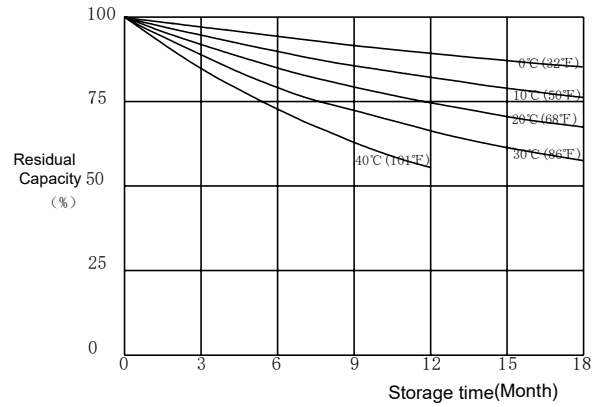
### Charging Characteristics Curves



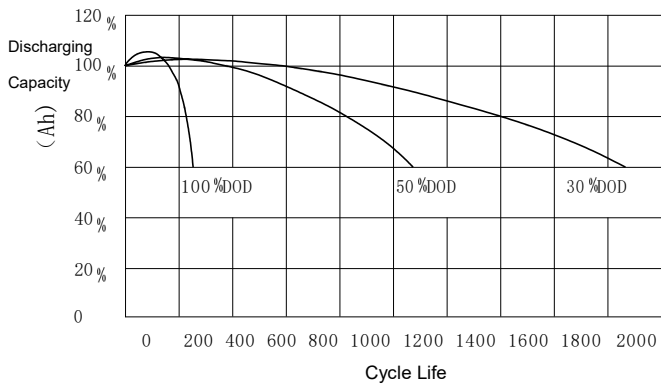
### Tempreture Vs Capacity



### Self-Discharge Characteristics



### Recycle Life



### Tempreture VS Float Life

