



MAIN NEW ENERGY CO.,LTD

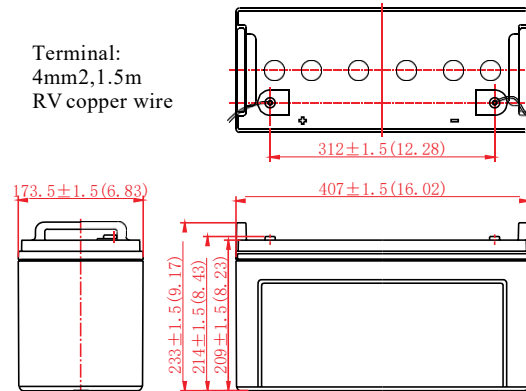
SUB-12V120AH

SILICON BATTERY

General Feature

- * Specialize in Solar Accumulation System
- * Excellent Deep-cycle performance
- * 80% DOD is more than 1000 cycles
- * Low internal resistance and low self-discharging
- * Operating Temperature:-40°C-70°C
- * Floating Charging Service Life: 10 years

Terminal:
4mm²,1.5m
RV copper wire



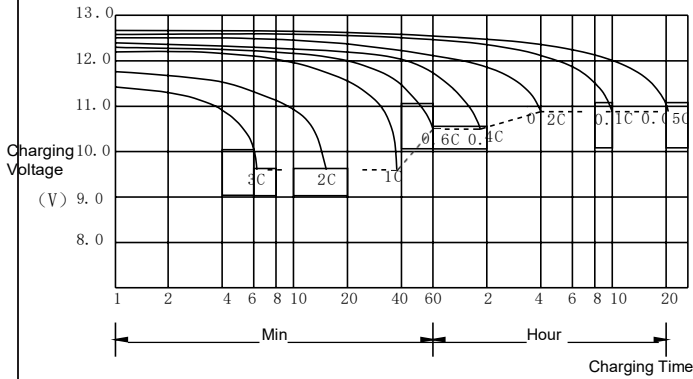
Specification

| | |
|-----------------------------------|--|
| Normal Voltage | 12V |
| Capacity | 120Ah @ 10hr to 1.80V/cell @ 25°C (77°F) |
| Weight | 35.0kg |
| Internal Resistance | Approx. 3.0mΩ |
| Operating Temperature Range | Discharging:- 40 ~70 -40 ~158 |
| | Charging:- 40°C~70°C (-40°F~158°F) |
| | Storage:- 40°C~50°C (-40°F~122) |
| Recommended Operating Temperature | 15°C~25°C (59°F~77°F) |
| Floating Charging Voltage | 13.5V~13.8V @ 25°C (77°F) |
| Max Charging Current | 36.0A |
| Equalization Charging Voltage | 14.4V~15.0V @ 25°C (77°F) |
| Self Discharging | Residual Capacity is more than 90% after 90 days (25°C/77°F) |
| Terminal | 1.5m, 4mm ² , RV Copper Core |
| Contain Materials | ABS |

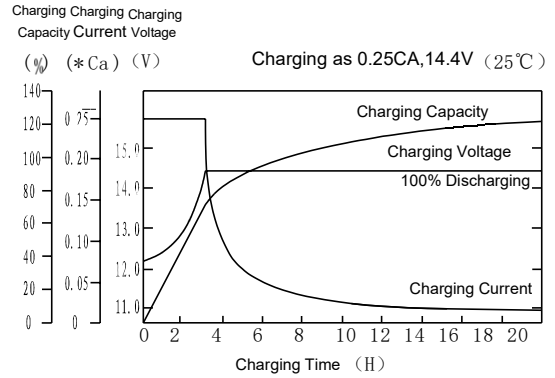
| Cut-off Voltage | Constant Current Discharge Characteristics Unit: A (25°C, 77°F) | | | | | | | | | | | | | | |
|-----------------|---|-----|-----|------|------|------|------|------|------|------|------|------|------|------|------|
| | 5M | 15M | 30M | 45M | 1h | 2h | 3h | 4h | 5h | 6h | 8h | 10h | 12h | 20h | 24h |
| 1.60V | 390 | 210 | 127 | 92.0 | 74.4 | 42.7 | 33.5 | 25.7 | 23.0 | 19.3 | 15.0 | 12.5 | 10.5 | 6.53 | 5.45 |
| 1.67V | 366 | 203 | 125 | 91.4 | 74.0 | 42.5 | 32.9 | 25.6 | 22.8 | 19.3 | 14.9 | 12.4 | 10.4 | 6.47 | 5.40 |
| 1.70V | 362 | 199 | 124 | 90.7 | 73.4 | 42.1 | 32.6 | 25.3 | 22.6 | 19.2 | 14.9 | 12.2 | 10.3 | 6.46 | 5.40 |
| 1.75V | 334 | 192 | 122 | 90.1 | 72.4 | 41.0 | 32.3 | 25.1 | 22.3 | 19.1 | 14.5 | 12.1 | 10.3 | 6.44 | 5.40 |
| 1.80V | 299 | 180 | 117 | 86.4 | 70.4 | 40.7 | 32.0 | 25.0 | 21.7 | 18.7 | 14.4 | 12.0 | 10.2 | 6.37 | 5.39 |
| 1.83V | 286 | 164 | 115 | 83.5 | 67.4 | 40.2 | 31.0 | 23.9 | 21.0 | 18.1 | 14.3 | 11.6 | 9.80 | 6.36 | 5.30 |
| 1.85V | 268 | 160 | 106 | 80.2 | 65.3 | 38.6 | 30.1 | 23.5 | 20.5 | 17.6 | 13.8 | 11.5 | 9.74 | 6.24 | 5.26 |

| Cut-off Voltage | Constant Power Discharge Characteristics Unit: W (25°C, 77°F) | | | | | | | | | | | | | | |
|-----------------|---|-----|-----|-----|-----|------|------|------|------|------|------|------|------|------|------|
| | 5M | 15M | 30M | 45M | 1h | 2h | 3h | 4h | 5h | 6h | 8h | 10h | 12h | 20h | 24h |
| 1.60V | 703 | 397 | 247 | 186 | 151 | 86.8 | 63.5 | 50.3 | 42.4 | 36.6 | 28.3 | 23.3 | 19.6 | 12.5 | 10.5 |
| 1.67V | 677 | 390 | 246 | 185 | 150 | 86.6 | 62.6 | 50.2 | 42.4 | 36.4 | 28.1 | 23.0 | 19.6 | 12.5 | 10.5 |
| 1.70V | 673 | 385 | 246 | 185 | 150 | 86.3 | 62.5 | 50.0 | 41.8 | 36.0 | 28.0 | 22.9 | 19.4 | 12.5 | 10.5 |
| 1.75V | 636 | 383 | 245 | 185 | 148 | 85.8 | 61.9 | 49.9 | 41.8 | 35.9 | 27.7 | 22.8 | 19.3 | 12.5 | 10.5 |
| 1.80V | 583 | 361 | 239 | 180 | 148 | 85.6 | 61.8 | 49.8 | 41.0 | 35.6 | 27.6 | 22.8 | 19.3 | 12.5 | 10.5 |
| 1.83V | 565 | 331 | 236 | 175 | 140 | 84.5 | 60.4 | 48.0 | 40.2 | 34.6 | 27.4 | 22.2 | 18.7 | 12.4 | 10.4 |
| 1.85V | 535 | 323 | 220 | 168 | 137 | 81.7 | 58.7 | 47.4 | 39.2 | 33.8 | 26.5 | 22.0 | 18.5 | 12.1 | 10.3 |

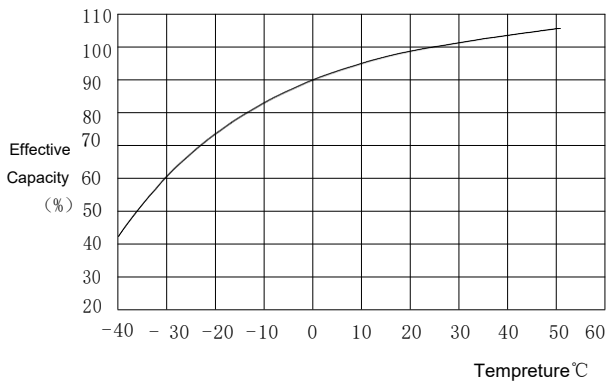
Discharging Characteristic (25°C, 77°F)



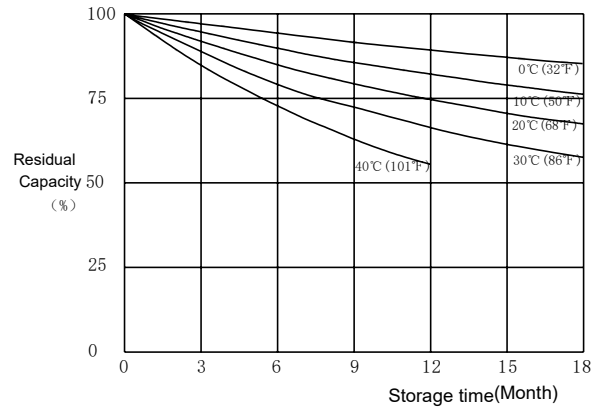
Charging Characteristics Curves



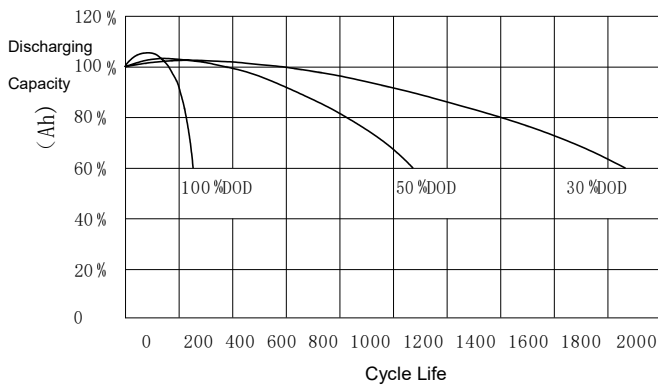
Temperature Vs Capacity



Self-Discharge Characteristics



Recycle Life



Temperature VS Float Life

