



**OPzS -800**

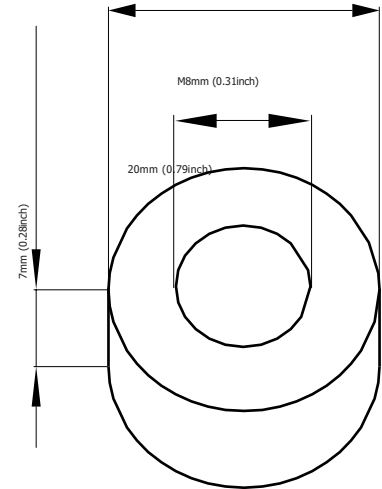
**GREENSAVER** OPzS batteries are designed with a combination of die-casting Tubular positive framework and superfluous electrolyte technologies to offer a very high lever of reliability and a long service life.

**GREENSAVER** OPzS batteries used special filter and proof design to ensure no acid fog runs over and burning proof, and also convenient examine and maintenance.

**GREENSAVER** OPzS batteries make if idea for a wide range of applications such as Telecommunications, Photovoltaic System, Security System, emergency lighting and UPS.

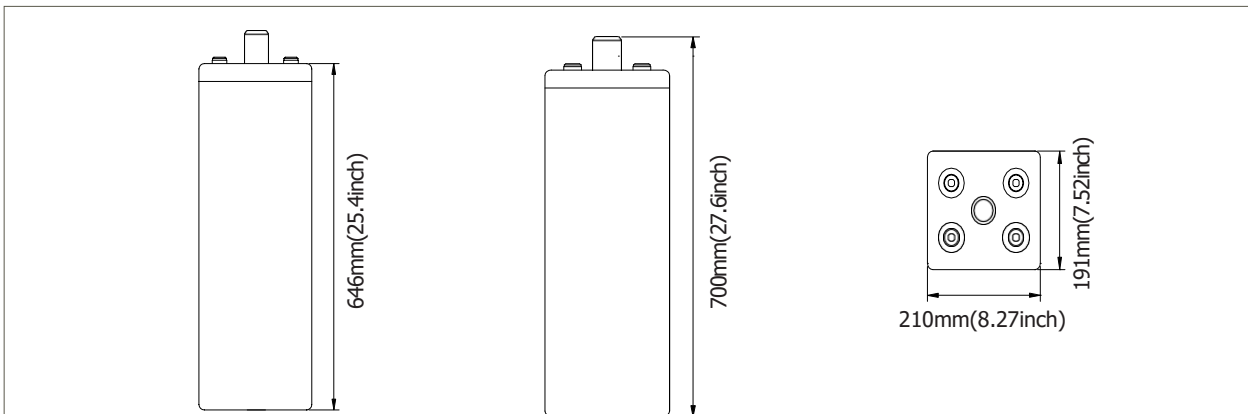
**Features & Benefits**

- Low maintenance.
- Super long service life.
- Transparent containers, convenient to observe.
- Special filter installation for acid fog proof.
- High quality and high reliability.
- Special pole sealed technology.
- DIN40736-1 compliant.

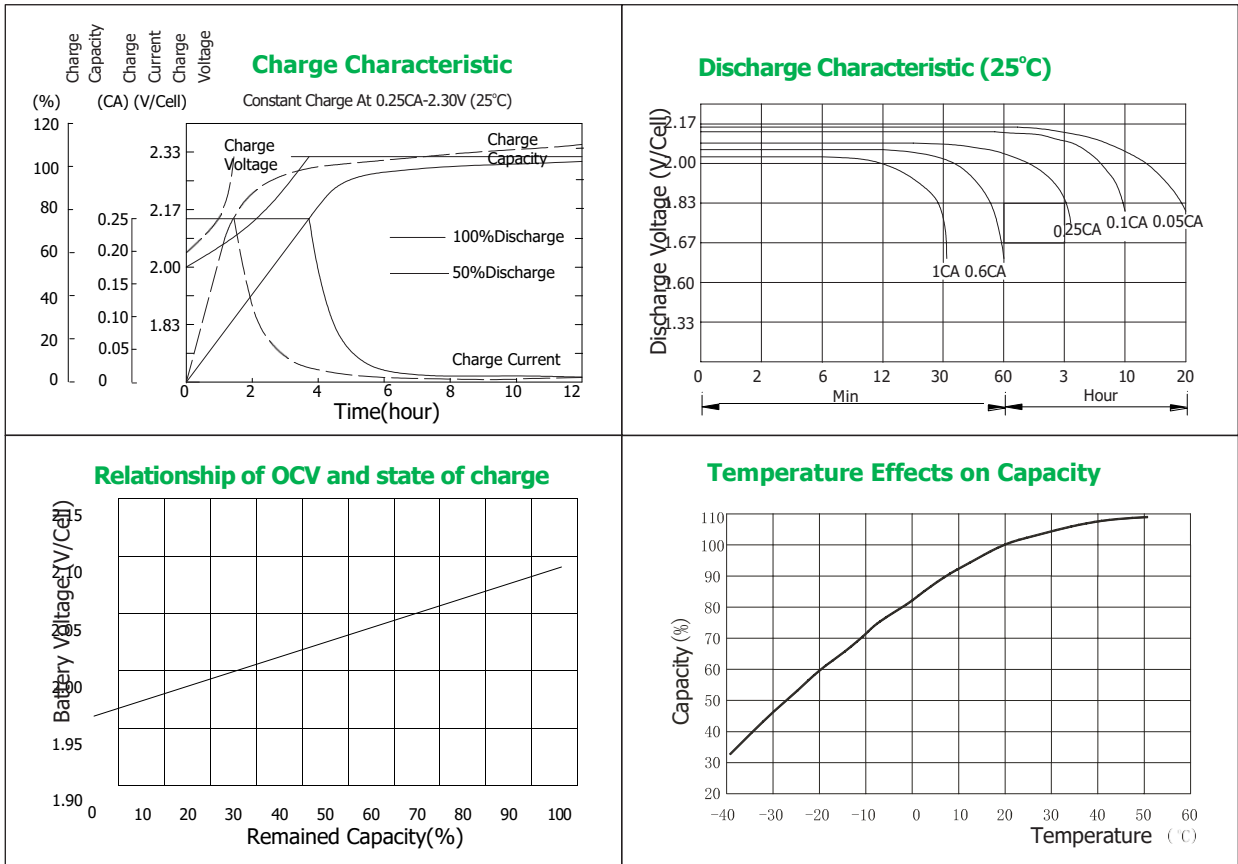


**Terminal Dimensions**

**Cell Dimensions**



Battery Model	OPzS800			
Designed Floating Life	20 Years			
Capacity(25°C)	24HR(36.1A,1.80V)	10HR(81.5A,1.80V)	5HR(134A,1.80V)	1HR(427A,1.75V)
	866AH	815AH	670AH	427AH
Dimensions	Length	Width	Height	Total Height
	191mm(7.52inch)	210mm(8.27inch)	646mm(25.4inch)	700mm(27.6inch)
Approx. Weight	without electrolyte:45.3Kg (100 lbs)		with electrolyte:61.3Kg(135lbs)	
Internal Resistance	Full charged at 20°C: 0.0006 Ohm			
Self Discharge	3% of capacity declined per month at (20°C)			
Capacity Affected by Temp.(10HR)	40°C	25°C	0°C	-15°C
	102%	100%	85%	65%
Charge Voltage(25°C)	Cycle use		Float use	
	2.35-2.40V/cell(-5mV/cell/°C), max. Current: 200A		2.23V/cell(-3.0mV/cell/°C)	



Constant Current Discharge Data Units: Amperes (25°C, 77°F)

End voltage	minutes	hours									
	30	1	2	3	4	5	6	8	10	24	48
1.60V	676.8	463.5	288.5	208.5	166.5	143.1	126.5	102.5	84.3	38.0	21.0
1.65V	654.5	452.8	282.6	205.6	164.5	141.5	124.8	101.6	83.9	38.0	20.8
1.70V	627.3	439.2	276.7	201.7	161.6	139.5	122.9	100.5	83.6	37.6	20.7
1.75V	604.1	426.6	269.0	197.8	159.6	137.1	120.5	98.5	82.4	36.8	20.4
1.80V	552.7	405.3	259.2	193.0	155.7	134.1	117.4	96.2	81.5	36.1	20.1
1.85V	464.4	377.1	245.5	187.1	150.8	129.8	113.4	93.5	79.1	34.8	19.0
1.95V	396.5	301.6	213.4	166.7	140.0	120.7	104.9	84.8	71.8	32.0	17.9

Constant Power Discharge Data Units: Watts per cell (25°C, 77°F)

End voltage	minutes	hours									
	30	1	2	3	4	5	6	8	10	12	24
1.60V	1369.9	1049.2	579.0	439.7	350.9	296.5	260.7	215.2	181.6	151.6	79.8
1.65V	1297.6	975.0	574.9	436.7	348.8	294.5	258.9	213.7	180.4	150.6	79.4
1.70V	1238.3	913.5	567.0	430.7	343.8	290.4	255.3	210.7	177.8	148.5	78.3
1.75V	1188.8	860.1	551.0	419.8	330.9	280.1	249.8	207.3	174.6	145.8	77.1
1.80V	1141.2	810.6	531.1	407.8	322.8	267.3	238.5	197.6	165.7	138.4	75.9
1.85V	1096.7	754.3	511.3	387.9	306.9	260.1	229.3	192.3	158.8	132.6	73.9
1.95V	1000.7	672.1	463.6	375.0	322.8	269.5	218.6	182.7	144.0	120.2	70.3

