

NS-6048J-1

半自動車襯衫上級領腳線收料架

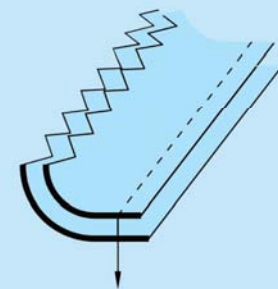
Semi-Automatic Shirt Collar Closing Stacker



	2	3500RPM	DPx17 75/11	



本工序(車上級領腳線)
This procedure (upper collar
bottom sewing)



- 適用於車縫領腳線，可配合NS-92L修領腳機使用
- 一人可同時操作修領腳和車上級領腳線兩道工序，提高生產效率
- 配合F264-AB車上級領腳線蝴蝶使用，並加裝收料架，可自動疊放領，整齊美觀且效率高
- 裁片放入蝴蝶後，機器自動執行車縫和收料，適合牛手工人操作
- 止口約3/16"

跟機件：

縫紉機(JUKI DDL-8000A-SMSOBK)

F264-AB 車上級領腳線蝴蝶

選購件：

C33-00191-18 縫紉機

(JUKI DLU-5490N-7-BBWB/M92/SC920CK/CP180A)

NS-92L 修領腳機

- Suitable for upper collar bottom sewing; can be used in combination with NS-92L Collar Contour Trimmer
- One worker can work on both collar bottom trimming and sewing for efficiency improvement
- Used in combination with F264-AB upper collar bottom folder; one stacker is added for laying collars in order
- After cut piece feeding into folder, machine will automatically perform sewing and collecting; therefore, even unskilled worker can handle it at ease
- Margin: about 3/16"

Standard:

Sewing machine (JUKI DDL-8000A-SMSOBK)

F264-AB upper collar bottom folder

Option:

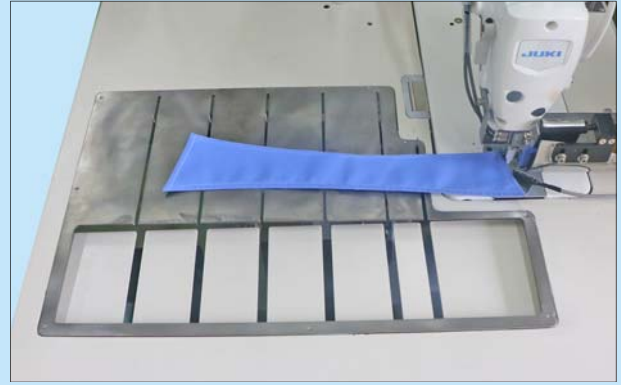
C33-00191-18 Sewing machine

(JUKI DLU-5490N-7-BBWB/M92/SC920CK/CP180A)

NS-92L Collar Contour Trimmer



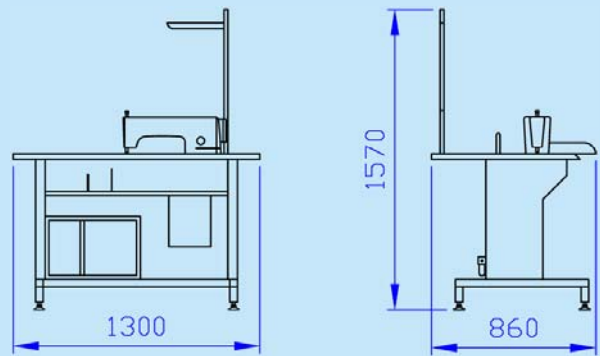
開始縫紉 Start sewing



第一裁片縫紉結束 First piece finished



收料 Collecting



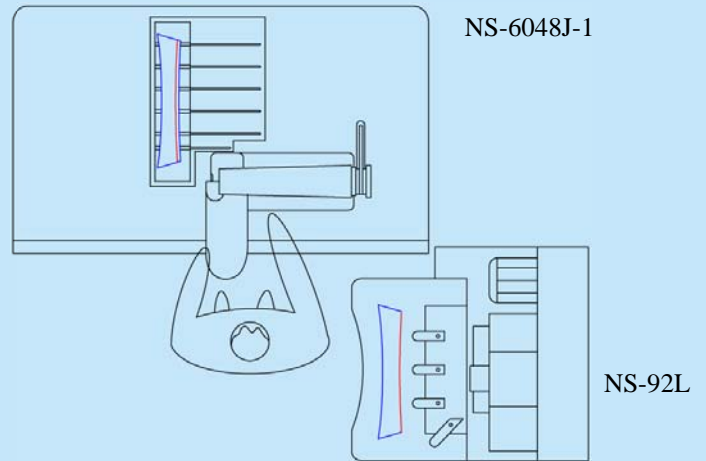
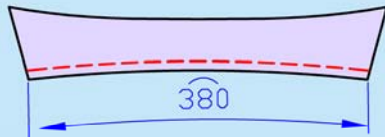
機身尺寸 Machine size

針距 Stitch Length(mm): 1.7

車速 Speed(RPM): 3500

車縫長度 Sewing length (mm): 380

產量 Output(pcs/hr): 600



NS-6048J-1 和 NS-92L 擺位示意圖
NS-6048J-1 and NS-92L Layout Diagram

型號 Model	適用衣車頭機型 Applicable Sewing Head Model	電源 Power Supply	總功率(kW) Total Power	最大收料尺寸(mm) Max. Collectable Material Size	壓縮空氣壓力(kgf/cm ²) Compressed Air Pressure	耗壓縮空氣量(L/min) Compressed Air Consumption	機身尺寸(mm) Machine Size
NS-6048J-1	JUKI DDL-8000A/JUKI DLU-5490N	1PH/220V/50Hz	0.55	500	5	10	1300x860x1570



藝誠(余氏)發展有限公司
Ngai Shing Development Limited

香港九龍長沙灣永康街52號地下
G/F., 52 Wing Hong St.,
Cheung Sha Wan, Kln., Hong Kong.

Tel: (852) 2741 9981, 2742 0078 E-MAIL: info@ngaishing.com
Fax: (852) 2785 3149 Http://www.ngaishing.com