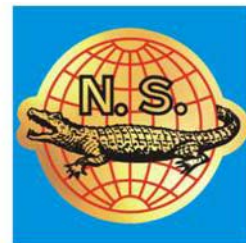


NS-8619

立式磨褲機

Vertical Trousers Brushing Machine



選購件：

O-H-07-1自動充氣系統

Automatic Air Inflating system



- 適用於牛仔褲磨褲處理
- 活動定位支架，使操作更方便，工作效率高
- 具快速充氣、真空排氣功能
- 褲管可前後旋轉，配合碟刹定位裝置
- 充氣褲管型膠套將褲身膨脹，方便磨褲，效果更佳
- 配合磨褲器操作，磨褲效率高
- 設計合理，操作容易

選購件：

自動充氣系統

各種橡膠褲像套

- Fit for brushing jeans
- Flexible positioning frame, easy to operate and high efficiency
- With swift air charging and vacuum discharging function
- Trousers could rotate around, work together with disc braking positioning device
- Air trousers dummy may inflate the trousers and make it easy to grind to get a good effect
- Work together with brusher for high efficiency
- Nice design and easy to operate

Options:

Automatic air inflating system

Various rubber trousers dummy



1. 褲像碟刹定位系統
2. 褲像袋抽真空效果
3. 穿褲簡便
4. 褲管架可自由旋轉
5. 褲像袋後側備有活動托盤傍位
6. 磨褲效果



1. Trousers dummy disc braking positioning system
2. Trousers dummy of vacuuming effect
3. Easy to wear the trousers
4. Trousers may rotate freely
5. Trousers was equipped with flexible guiding supporter at the rear side
6. Trousers brushing effect

選購件Options:

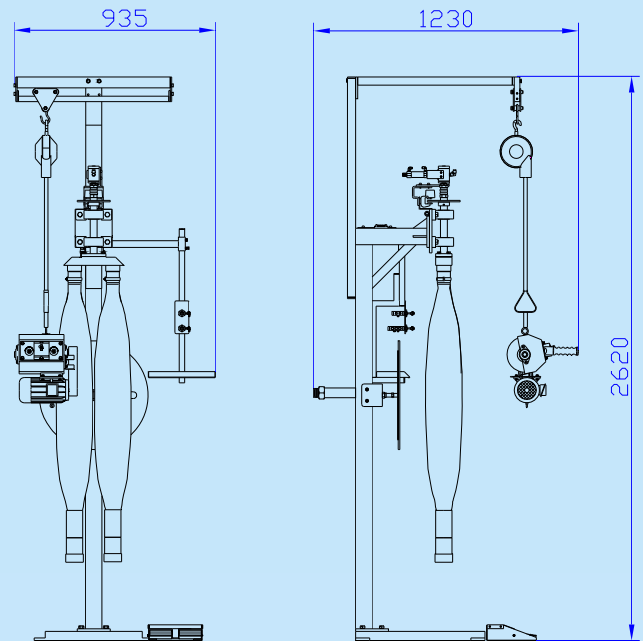
橡膠褲像套

Rubber trousers dummy

C17-RP-010-1-1 (大碼 Large size)

C17-RP-010-1-2 (中碼 Middle size)

C17-RP-010-1-3 (小碼 Small size)



機身外形圖Machine Size (Unit : mm)

型號 Model	電源 Power Supply	總功率(kW) Total Power	壓縮空氣壓力(kg/cm ²) Compressed Air Pressure	耗壓縮空氣量(L/min) Compressed Air Consumption	機身尺寸 (mm) Machine Size
NS-8619	3PH /380V/ 50Hz	0.6	5	35	935x1230x2620



藝誠(余氏)發展有限公司
Ngai Shing Development Limited

香港九龍長沙灣永康街52號地下
G/F., 52 Wing Hong St.,
Cheung Sha Wan, Kln., Hong Kong.

Tel: (852)2741 9981, 2742 0078
Fax: (852)2785 3149

E-MAIL: info@ngaishing.com
Http://www.ngaishing.com