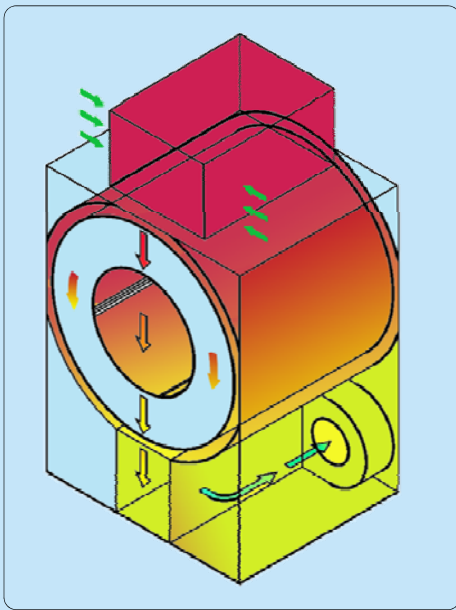


**NS-2800**

**工業乾衣機**

**Industrial Drying Tumbler**



工作原理示意圖  
Working Principle Diagram



**NS-2800-300-S**

- 適用於烘干各種棉織、牛仔、梭織、針織、化纖等衣物
- 內膽可定時正、反轉動，使衣物均衡滾動
- 內膽部件全部採用不銹鋼制作，表面光潔耐用
- 配備數字式溫度控制器，溫度控制精確
- 備冷風、熱風時間制，控制冷風、熱風乾衣時間
- 備蒸汽熱、電熱、瓦斯熱型乾衣機，30~300磅不同容量乾衣機供選擇
- 設有門安全制，提高操作安全

**選購件：**

蒸汽電磁閥總成  
蒸汽氣動閥總成  
疏水閥總成  
內膽進風隔塵箱  
側隔塵網  
冷風門控制裝置  
自動調風門系統

- Suitable for drying garments made of various fabrics such as cotton, jeans, woven fabric, knitted fabric, synthetic textile, etc
- Preset forward and backward rotation of inner drum enable garment to change their locations and attitudes effectively
- Stainless steel inner drum, clean surface and durable
- Equipped with digital thermostat for more accurate temperature control
- Cold and hot air blowing timers applied to control the drying time by cold air and hot air
- Steam heated, electric heated, and gas heated drying tumblers with different capacity (30~300lbs) are available for selection
- Equipped with door safety switch for safe operation

**Options:**

Steam Solenoid Valve Assy  
Steam Pneumatic Valve Assy  
Steam Trap Set  
Dust Separating Box for Air Inlet of Inner Drum  
Side Filter Mesh  
Cool Air Damper Controller  
Automatic Air Damper System

### 工業乾衣機 – 蒸汽熱型 Industrial Drying Tumbler -steam heated

型號 Model	NS-2800-30-S	NS-2800-50-S	NS-2800-70-S	NS-2800-100-S	NS-2800-200-S	NS-2800-300-S
容量 (lbs) Capacity	30	50	70	100	200	300
內膽尺寸 (mm) Inner Drum Size	Ø787×533×1.5	Ø965×533×1.5	Ø965×864×1.5	Ø1118×864×1.5	Ø1372×1041×1.5	Ø1778×1016×1.5
內膽容積 (m <sup>3</sup> ) Inner Drum Volume	0.26	0.39	0.64	0.86	1.54	2.54
電源 Power Supply	3PH/380V/50Hz					
總功率 (kW) Total Power	2	2.8 kW	2.8	2.8	4.6	8.6
內膽馬達功率 (kW) Inner Drum Motor Power	0.75	1.1 kW	1.1	1.1	2.2	4
排風馬達功率 (kW) Exhaust Fan Motor Power	1.1	1.5 kW	1.5	1.5	2.2	2 × 2.2
耗蒸汽量 (kg/h) Steam Consumption	20	30	45	60	120	180
內膽轉速 (RPM) Inner Drum Speed	27	27	27	27	25	22
機身尺寸 (mm) Machine Size	925×1200×1825	1050×1200×1950	1050×1540×1950	1220×1665×2050	1470×1800×2010	1860×2060×2250

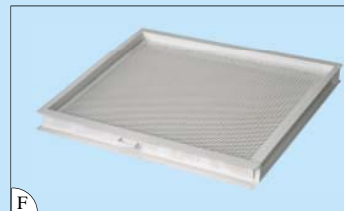
### 工業乾衣機 – 電熱型 Industrial Drying Tumbler- electric heated

型號 Model	NS-2800-30-E	NS-2800-50-E	NS-2800-70-E	NS-2800-100-E	NS-2800-200-E	NS-2800-300-E
容量 (lbs) Capacity	30	50	70	100	200	300
內膽尺寸 (mm) Inner Drum Size	Ø787× 533×1.5	Ø965× 533×1.5	Ø965×864×1.5	Ø1118×864×1.5	Ø1372×1041×1.5	Ø1778×1016×1.5
內膽容積 (m <sup>3</sup> ) Inner Drum Volume	0.26	0.39	0.64	0.86	1.54	2.54
電源 Power Supply	3PH/380V/50Hz					
總功率 (kW) Total Power	18	31.6	37.9	37.9	51.4	67
發熱線功率 (kW) Heater Power	16	28.8	35.1	35.1	46.8	58.5
內膽馬達功率 (kW) Inner Drum Motor Power	0.75	1.1	1.1	1.1	2.2	4
排風馬達功率 (kW) Exhaust Fan Motor Power	1.1	1.5	1.5	1.5	2.2	2 × 2.2
內膽轉速 (RPM) Inner Drum Speed	27	27	27	27	25	22
機身尺寸 (mm) Machine Size	925×1200×1825	1050×1200×1950	1050×1540×1950	1220×1665×2050	1470×1800×2010	1860×2060×2250

### 工業乾衣機 – 瓦斯熱型 Industrial Drying Tumbler- gas heated

型號 Model	NS-2800-100-G	NS-2800-200-G	NS-2800-300-G
容量 (lbs) Capacity	100	200	300
內膽尺寸 (mm) Inner Drum Size	Ø1118×864×1.5	Ø1372×1041×1.5	Ø1778×1016×1.5
內膽容積 (m <sup>3</sup> ) Inner Drum Volume	0.86	1.54	2.54
石油氣消耗量 (kg/hr) LPG Consumption	3.7	7.4	11.1
天然氣消耗量 (m <sup>3</sup> /hr) Natural Gas Consumption	4.8	9.6	14.4
電源 Power Supply	3PH/380V/50Hz		
總功率 (kW) Total Power	2.8	4.6	8.6
內膽馬達功率 (kW) Inner Drum Motor Power	1.1	2.2	4
排風馬達功率 (kW) Exhaust Fan Motor Power	1.5	2.2	2 × 2.2
內膽轉速 (RPM) Inner Drum Speed	27	25	22
機身尺寸 (mm) Machine Size	1220×1665×2050	1470×1800×2010	1860×2060×2250

**選購件:**  
**Options:**



序號 Serial No.	編號 Part No.	中英文名稱Description	適用Application
A	O-I-03-02	疏水閥總成-Ø1" Steam trap set-Ø1"	適用於 For NS-2800-30~300-S
B	O-I-01-4	蒸汽氣動閥總成-Ø1" Steam Pneumatic Valve Assy-Ø1"	適用於 For NS-2800-30~300-S
C	O-I-02-2	蒸汽電磁閥總成-Ø1" Steam Solenoid Valve Assy-Ø1"	適用於 For NS-2800-30~300-S
D	O-I-57-01	自動調風門系統 Dust separating box for air inlet of inner drum	適用於 For NS-2800-30~50-E
	O-I-57-02		適用於 For NS-2800-70~100-E, NS-2800-100-G
	O-I-57-03		適用於 For NS-2800-200-G
	O-I-57-04		適用於 For NS-2800-300-G
E	APT05-06433M	側隔塵網 Side Filter Mesh	適用於 For NS-2800-30-S, NS-2800-50-S
	APT05-01212		適用於 For NS-2800-70-S, NS-2800-100-S
	APT05-01245		適用於 For NS-2800-200-S, NS-2800-300-S
F	O-I-18-1	內膽進風隔塵箱 Dust Separating Box for Air Inlet of Inner Drum	適用於 For NS-2800-30-S/E
	O-I-18-2		適用於 For NS-2800-50-S/E
	O-I-18-3		適用於 For NS-2800-70-S/E
	O-I-18-4		適用於 For NS-2800-100-S/E/G
	O-I-18-5		適用於 For NS-2800-200-S/G
	O-I-18-6		適用於 For NS-2800-300-S/G
G	O-I-13-1	冷風門控制裝置 Cool Air Damper Controller	適用於 For NS-2800-300-S
	O-I-13-2		適用於 For NS-2800-200-S
	O-I-13-3		適用於 For NS-2800-100-S
	O-I-13-4		適用於 For NS-2800-70-S
	O-I-13-5		適用於 For NS-2800-50-S
	O-I-13-6		適用於 For NS-2800-30-S






**藝誠(余氏)發展有限公司**  
**Ngai Shing Development Limited**

香港九龍長沙灣永康街52號地下  
G/F., 52 Wing Hong St.,  
Cheung Sha Wan, Kln., Hong Kong.

Tel: (852) 2741 9981, 2742 0078 E-MAIL: info@ngaishing.com  
Fax: (852) 2785 3149 Http://www.ngaishing.com

**NS-2800系列series**  
**加熱方式對比**  
**Heating Methods Comparison**

 蒸汽熱交換器 Steam heat exchanger	<b>適用</b> <b>Application:</b>	適於恤衫、針織、牛仔等衣物乾衣 Suitable for drying shirt, knitted garments, jeans wear, etc.
	<b>優點</b> <b>Advantages:</b>	升溫穩定，溫度控制精確 Stable heating up, accurate temperature control
	<b>其它</b> <b>Others:</b>	廠房附近需有蒸汽供應及管道工程 Steam supply near work floor and piping installation are needed
 電熱交換器 Electric heat exchanger	<b>適用</b> <b>Application:</b>	適用少量樣板衣物乾衣，如板房、洗衣店等 Suitable for drying small quantity of samples, e.g. used by board room, laundry, etc.
	<b>優點</b> <b>Advantages:</b>	安裝方便，無需管道工程 Convenient installation because of no piping installation involved
	<b>其它</b> <b>Others:</b>	需當地有大功率三相電源供應，耗電量大 Due to large power consumption, a local high-power 3PH power supply is needed
 瓦斯熱交換器 Gas heat exchanger	<b>適用</b> <b>Application:</b>	適於牛仔類衣物乾衣 Suitable for drying jeans wear
	<b>優點</b> <b>Advantages:</b>	GAS加熱升溫快，加熱溫度高；減少空氣污染物排放量，綠色環保 Fast heating up and high heating temperature; less emission of greenhouse gas & eco-friendly
	<b>其它</b> <b>Others:</b>	需當地有相應GAS供應，不適合硫化物染料及敏感麵料乾衣 Local GAS supply is needed. It does not suit for sulfide dyes and sensitive fabrics