

NS-3532 / NS-3534

單臂橋形抽濕熨台

Single Buck Bridge Type Vacuum Ironing Table



NS-3532



NS-3534

- 適用於襯衫掛裝熨燙
- 具有操作簡單、快捷、占地小、檯面高度可調等優點
- 高質風葉、抽風力強、起動及停止速度快
- 採用耐熱熨布和泡棉熨氈
- 組合式設計，方便運輸，安裝容易
- 台面及熨臂備發熱線，減低積水

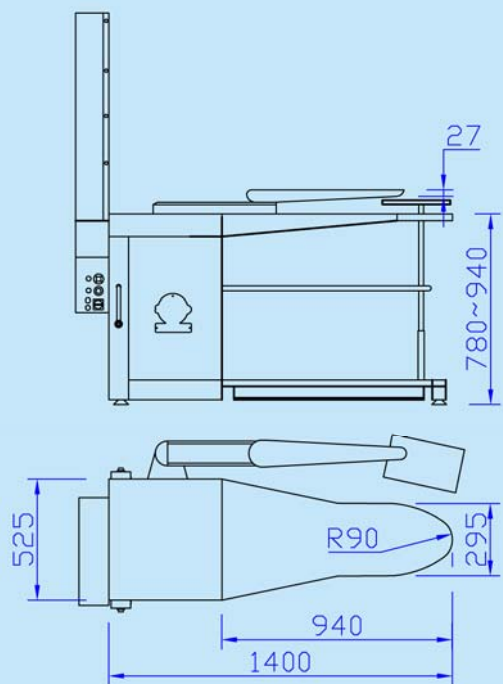
選購件:

- O-E-07-1 日光燈
- O-E-01-3 吊熨斗架C

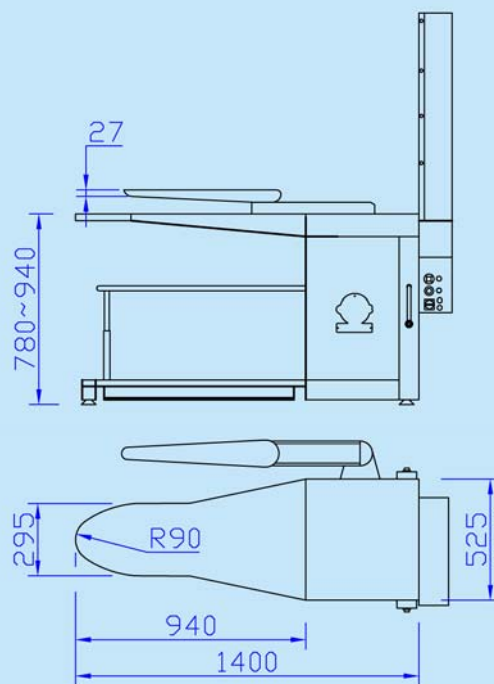
- Suitable for on-hanger-shipment shirt pressing
- Advantages include easy and simple operation, small occupation area, adjustable table height etc.
- High quality fan blade, strong vacuuming power, prompt start and stop
- Heat resistant ironing cloth and spongy foam
- Assembly construction allows easy transportation and installation
- Table top and buck with heater could minimize garment moisture

Options:

- O-E-07-1 Fluorescent lamp
- O-E-01-3 Iron hanger C

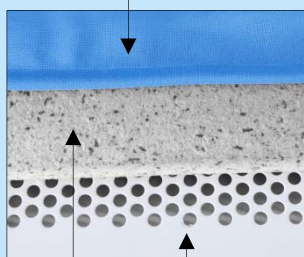


NS-3532



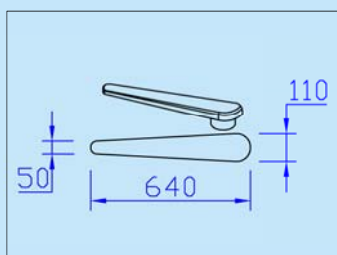
NS-3534

耐熱熨布
Heat resistant fabric

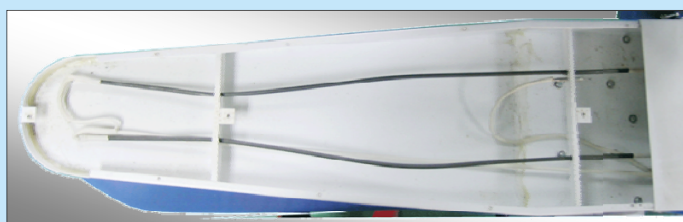


泡棉熨氈
Ironing Felt

網板
Perforated board



US萬能袖架
Universal Sleeve Buck



檯面備有發熱線，可減低積水，以保持檯面干燥
The table has heaters, which can reduce water accumulation and keep the table surface dry

選購件 Option:



O-E-07-1 日光燈(需配合吊熨斗架安裝)
Fluorescent lamp(need iron hanger for installation)



O-E-01-3 吊熨斗架C
Iron hanger C

型號 Model	電源 Power supply	總功率(kW) Total Power	風機功率(kW) Fan Power	檯面發熱線(kW) Table top heater	熨臂發熱線(kW) Buck heater	重量(kg) Weight	機身尺寸(mm) Machine size
NS-3532	3PH/380V/50Hz	1.8	0.9	0.6	0.2	200	1530x720x1640
NS-3534							



藝誠(余氏)發展有限公司
Ngai Shing Development Limited

香港九龍長沙灣永康街52號地下
G/F., 52 Wing Hong St.,
Cheung Sha Wan, Kln., Hong Kong.

Tel: (852) 2741 9981, 2742 0078 E-MAIL: info@ngaishing.com
Fax: (852) 2785 3149 Http://www.ngaishing.com