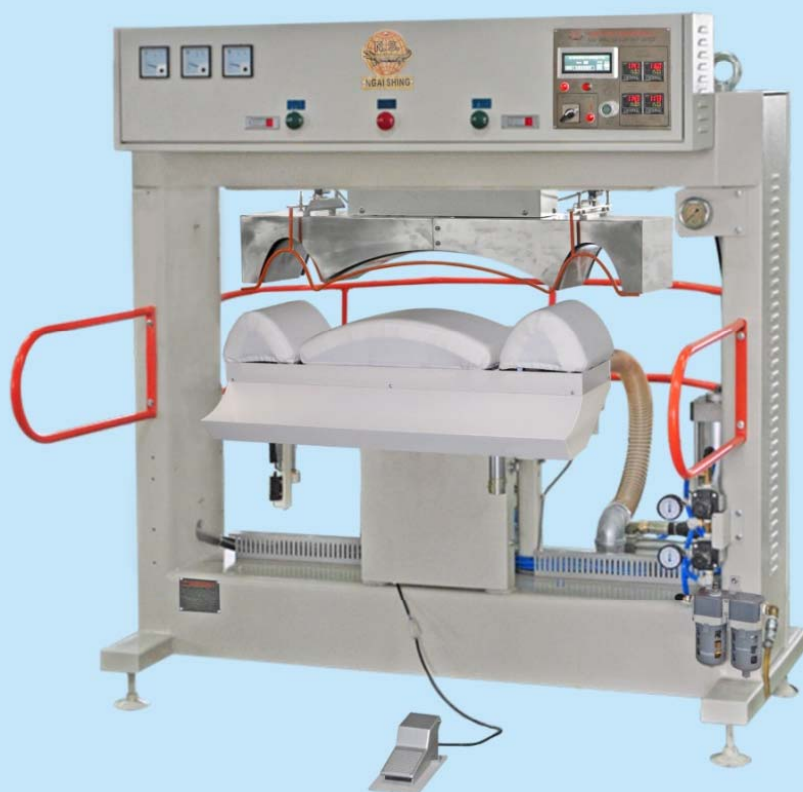
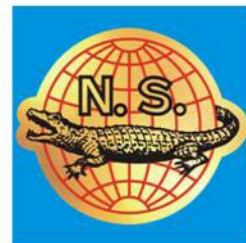


NS-9243F / NS-9243F-L
自動領袖壓平機
Automatic Collar and Cuff Press



- 適用於女裝襯衫領、袖壓熨及防皺處理
- 採用氣-液增壓缸垂直加壓，壓力大且平均，壓熨效果佳
- 採用PLC可編程控制器控制及人性化操作界觸摸顯示屏操作
- 下模水平移位設計，擺放衣物方便，操作舒適，提高工作效率
- NS-9243F一次壓1件衣服，NS-9243F-L一次壓2件衣服
- 下模可抽濕（需另購真空泵），有助衣物定位、冷卻，定型效果佳

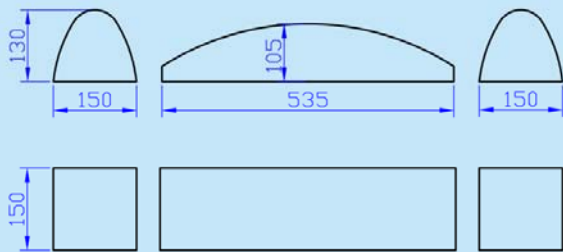
選購件：

NS-3400系列真空抽濕泵

- Suitable for ladies' shirt collar and cuff wrinkle-free pressing
- Pneumatic-hydraulic pressure booster vertical pressing, heavy and even pressure, excellent result
- PLC and human friendly touch screen for operation
- The lower mould moves in and out horizontally for easy fabric placing and high efficiency
- NS-9243F presses one piece of garment at a time; NS-9243F-L presses two pieces at a time
- The lower mould can vacuum (**need to purchase a vacuum pump additionally**) for garment fixing and cooling with fine shaping effect

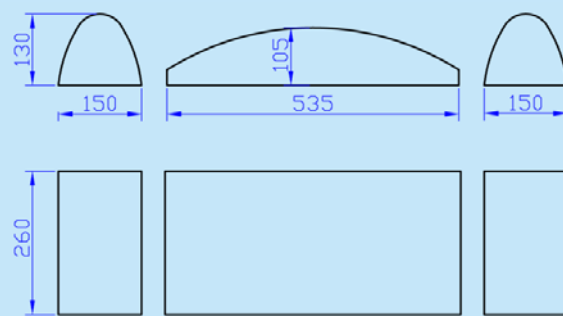
Option:

NS-3400 series vacuum pump



NS-9243F

下模尺寸圖 Lower mould dimension diagram



NS-9243F-L

下模尺寸圖 Lower mould dimension diagram



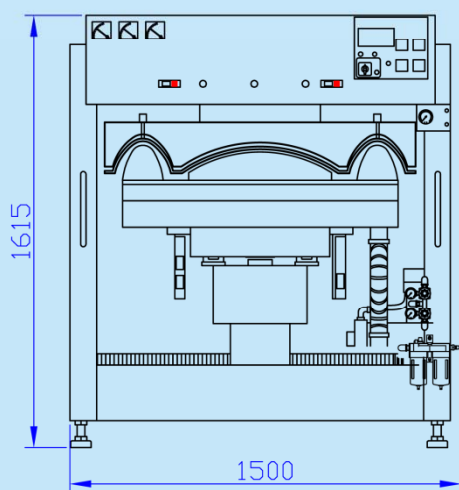
NS-9243F一次壓1件衣服

NS-9243F presses one piece of garment at a time



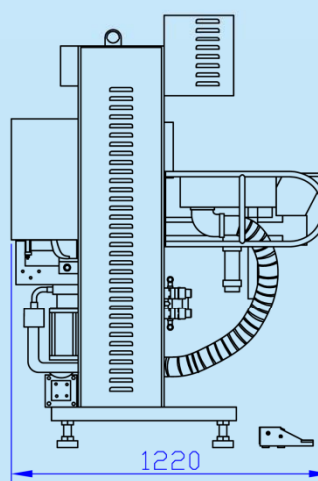
NS-9243F-L一次壓2件衣服

NS-9243F-L presses two pieces at a time



NS-9243F 機身尺寸簡圖

NS-9243F Machine Size Diagram



型號 Model	電源 Power Supply	總功率(kW) Total Power	發熱線功率(kW) Heater Power	下模尺寸(mm) Lower Mould Size	壓縮空氣壓力(kgf/cm ²) Compressed Air Pressure	耗壓縮空氣量(L/min) Compressed Air Consumption	設計溫度(°C) Design Temperature	機身尺寸(mm) Machine Size
NS-9243F	3PH/380V/50Hz	4.9	4.8	領Collar:535x150x105 袖Cuff:150x150x130	5	150	200	1500x1220x1615*
NS-9243F-L		7.3	7.2	領Collar:535x260x105 袖Cuff:150x260x130				1500x1900x1615*



藝誠(余氏)發展有限公司
Ngai Shing Development Limited

香港九龍長沙灣永康街52號地下

G/F., 52 Wing Hong St.,

Cheung Sha Wan, Kln., Hong Kong.

Tel: (852) 2741 9981, 2742 0078

Fax: (852) 2785 3149

E-MAIL: info@ngaishing.com

Http://www.ngaishing.com