

NS-3301A / NS-3302A
清除衣物污垢檯
Cleaning Table



NS-3301A



NS-3302A

- 適用於各類衣物去污
- 專為成衣製造商及干洗業而設計
- 優質馬達，抽風力特強
- 活動吸風臂，使清潔衣物更為方便
- 操作簡單，機身堅固，結構合理
- NS-3301A 配備特制藥水槍一支，空氣噴槍一支
- NS-3302A 配備特制藥水槍一支，空氣噴槍一支，蒸汽噴槍一支

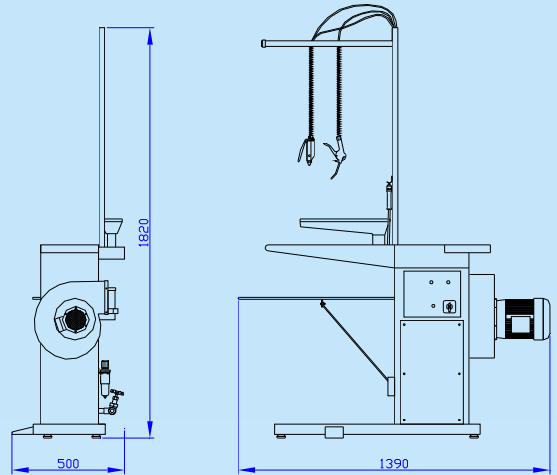
- Suitable for cleaning various garments
- Specially designed for garment manufacturer and laundry industry
- High quality and high power motor
- Movable vacuum arm facilitates garment cleaning
- Easy operation, durable machine body and reasonable structure
- NS-3301A with a special solvent gun, an air spray gun
- NS-3302A with a special solvent gun, an air spray gun and a steam spraying gun



1. 大面積去污
2. 雙袖去污
3. NS-3302A特配噴蒸汽去污(需連接外部蒸汽供應設備)
4. 輔料擺放圖
5. NS-3302A特配汽水分離器
6. 備有兩個藥水壺

1. Large area cleaning
2. Sleeve cleaning
3. NS-3302A is equipped with steam spraying for cleaning(should be connected the external steam supply unit)
4. Indirect material layout
5. NS-3302A is equipped with steam water separator
6. Equipped with two water buckets

NS-3301A NS-3302A 選購件 Option	C08-011-1 電動噴藥槍 Electric chemical spray gun 		
NS-3301A 跟機附件 一覽表 Standard accessories	C07-PT-006-01-1 特制藥水槍 Special solvent gun 	C07-PT-001-04-1 空氣噴槍 Air spray gun 	
NS-3302A 跟機附件 一覽表 Standard accessories	C07-PT-006-01-1 特制藥水槍 Special solvent gun 	C07-PT-001-04-1 空氣噴槍 Air Spray gun 	C07-PT-007-01-2 蒸汽噴槍 Steam spraying gun 



型號 Model	電源 Power Supply	總功率(kW) Total Power	壓縮空氣壓力(kgf/cm ²) Compressed Air Pressure	耗壓縮空氣量(L/min) Compressed Air Consumption	蒸汽壓力(kgf/cm ²) Steam Pressure	耗蒸汽量(kg/h) Steam Consumption	機身尺寸(mm) Machine Size
NS-3301A	1PH/220V/50Hz	0.85	5	20	-	-	1390x500x1820
NS-3302A					3~5	10	



藝誠(余氏)發展有限公司
Ngai Shing Development Limited

香港九龍長沙灣永康街52號地下
G/F., 52 Wing Hong St.,
Cheung Sha Wan, Kln., Hong Kong.

Tel: (852) 2741 9981, 2742 0078 E-MAIL: info@ngaishing.com
Fax: (852) 2785 3149 Http://www.ngaishing.com