

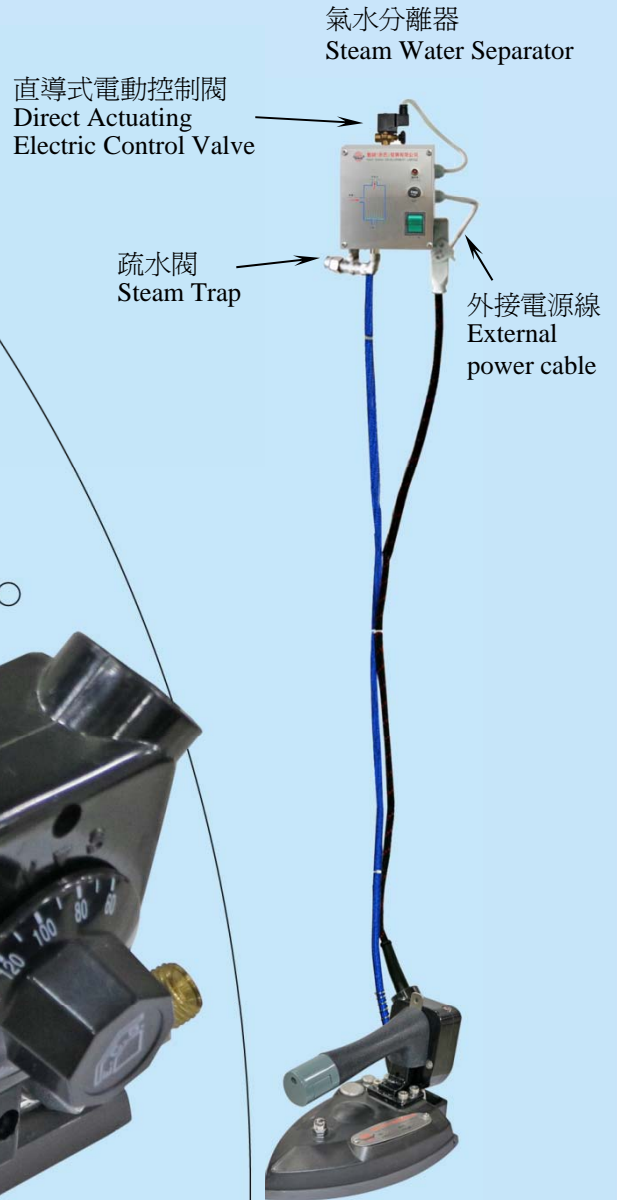
NS-3601A-1 電蒸汽熨斗 (微動開關式) Electric Steam Iron (Micro Switch Type)



- 適用於梭織等服裝的熨燙
- 採用電加熱配合高硬度鋁合金底板，傳熱性能優越，熨燙效果佳
- 熨斗底呈弧形，熨燙時順滑自如
- 電磁閥及微動開關輕鬆控制蒸汽，安全、可靠
- 特別配置優質氣水分離器，顯著提高蒸汽質量，提高熨燙質量

選購件：

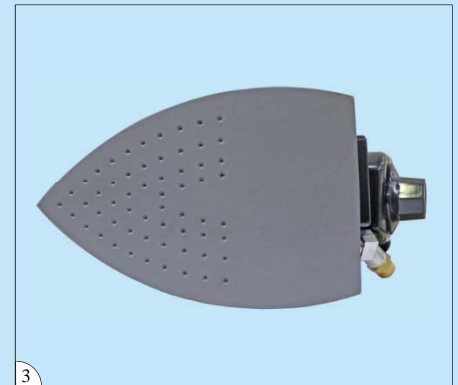
熨斗鞋 (讓您遠離布料因對溫度敏感而產生鏡面現象的煩惱)
吊熨斗彈簧 (使操作更省力)



- Suitable for woven garment ironing
- Electric heating in conjunction with hardened aluminum alloy bottom provide excellent heat transfer and smooth ironing effect
- Arch-shaped bottom allows smooth and free movement
- With solenoid valve and micro switch for safe and reliable steam control
- Specially designed steam water separator offers high quality steam and superb ironing result

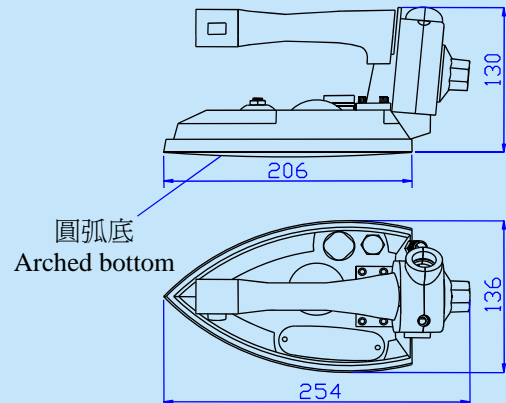
Options:

Teflon shoe (can isolate the hot iron from the fabric and thus prevent glaze mark from happening to heat sensitive fabrics)
Iron Hanging Spring (flexible and easy operation)



1. 微動式開關，操作靈活、輕巧
2. 採用溫度調節器，調校方便，最高設計溫度為200°C
3. 底盤蒸汽孔多，可噴蒸汽量大

1. Micro switch control allows flexible and easy operation
2. With thermostat for easy temperature control and adjustment; max. design temperature: 200°C
3. Many holes on the bottom allow large volume of steam to pass through



熨斗尺寸簡圖 Iron Dimensions Diagram(mm)

跟機件Standards

<p>4 汽水分离器連電磁閥，疏水閥 Steam water separator with solenoid valve and steam trap AC-E-03-2</p>	<p>5 熨斗墊 Iron Pad C33-00082</p>	<p>6 3米原子喉連接器 3M Teflon Hose with fitting C17-RP-004-1M</p>	<p>7 0.5米原子喉連接頭 0.5m Teflon hose with fitting C17-RP-004-4M</p>	<p>8 布套 Cloth Sleeve APT15-00068</p>
---	---------------------------------	---	---	--

選購件Options

<p>9 熨斗鞋 Teflon Shoe C28-010-02-1</p>	<p>10 吊熨斗彈簧 Iron Hanging Spring C31-CES-10-33M</p>
---	--

易損件 Wearing

<p>11 發熱片 Heater C01-HR-F-1K-10</p> <p>此兩個零件需配合使用 This two parts are used in combination</p>	<p>12 密封圈 Sealing Ring PT20-00019M</p>	<p>13 溫度調節器 200°C Thermostat 200°C C01-TC-001-9</p>	<p>14 直導式電動控制閥 Direct Actuating Electric Control Valve CO2-EV-001-A02-7</p>	<p>15 開關組件 Switch Component C01-MS-007-6</p>
<p>16 疏水閥 Steam Trap C18-S-02-2E</p>		<p>17 熨斗手柄 Iron Handle C33-DL98A-5</p>		

型號 Model	電源 Power Supply	總功率(kW) Total Power	最高設計溫度(°C) Max. Design Temp.	蒸汽壓力(kgf/cm ²) Steam Pressure	蒸汽開關 Steam Valve	淨重(kg) Net Weight	熨斗底尺寸(mm) Sole Size
NS-3601A-1	1PH/220V/50Hz	1	200	3~5	微動開關 Micro switch	2.6	206x136



**藝誠(余氏)發展有限公司
Ngai Shing Development Limited**

香港九龍長沙灣永康街52號地下
G/F., 52 Wing Hong St.,
Cheung Sha Wan, Kln., Hong Kong.

Tel: (852) 2741 9981, 2742 0078 E-MAIL: info@ngaishing.com
Fax: (852) 2785 3149 Http://www.ngaishing.com