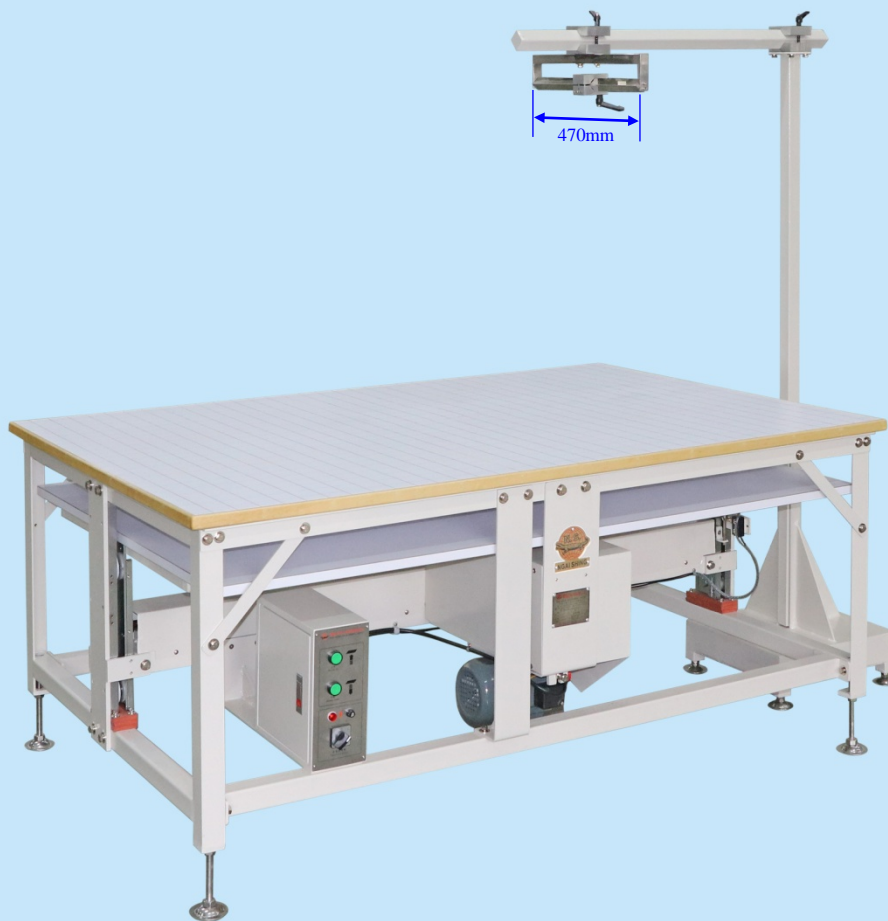
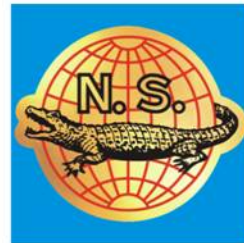


**NS-601/ NS-601-L**

**針床連燈架**

**Pinning Table With Light Stand**



- 適用於裁片的對格對條
- 活動升降板，使插針能依照布厚度升降
- 檯面部分區域已有孔位，方便插針
- 檯面備縱橫線條方便對位
- 鐳射燈座可根據需要擺放在針床任一側

**跟機件：**

鐳射燈座(高度1850mm)

鐳射燈可調支架(總長470mm)

PT08-00357M 裁床針 $\varnothing 1\text{mm} \times 6'' \times 25$ 根

**選購件：**

PT08-00357M 裁床針 $\varnothing 1\text{mm} \times 6''$

NS-6202S-2M / NS-6212S-2M 直線鐳射燈

NS-6203C-2M / NS-6213C-2M 十字鐳射燈

O-A-03-12 縱向單鐳射燈可調支架總長900mm(1套)

O-A-03-13 縱橫雙鐳射燈可調支架總長900mm(1套)

O-A-03-14 縱向單鐳射燈自動可調支架總長1000mm(1套)

O-A-03-15 縱橫雙鐳射燈自動可調支架總長1000mm(1套)

- Suitable for plaid or stripe matching of cut pieces
- Lifting platform can adjust needle height according to fabric thickness
- Some areas of table already have holes for locating pins
- Table top with crossed lines to facilitate positioning
- The laser marker stand can be placed on either side of the pinning table based on production need

**Standard Accessories:**

Stand of laser marker (height 1850mm)

Adjustable support of laser marker (total length 470mm)

PT08-00357M Cutting table needle  $\varnothing 1\text{mm} \times 6'' \times 25$  pcs

**Optional Accessories:**

PT08-00357M Cutting table needle  $\varnothing 1\text{mm} \times 6''$

NS-6202S-2M / NS-6212S-2M Straight laser marker

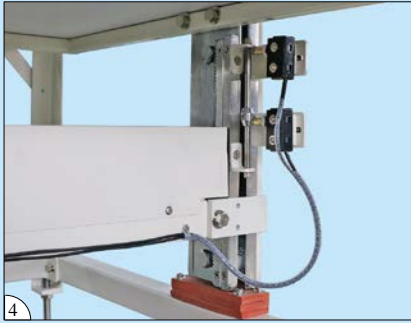
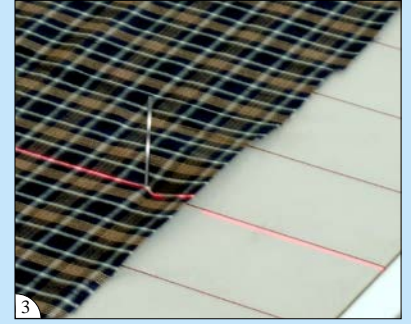
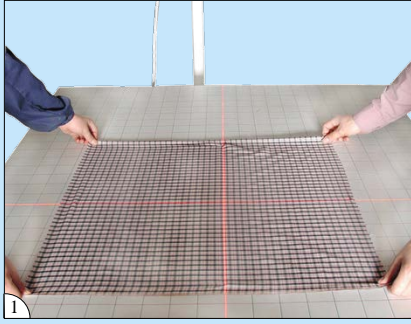
NS-6203C-2M / NS-6213C-2M Cross laser marker

O-A-03-12 Adjustable vertical support of single laser marker (total length 900mm)(1 set)

O-A-03-13 Adjustable vertical and horizontal support of double laser markers (total length 900mm)(1 set)

O-A-03-14 Automatic adjustable vertical support of single laser marker (total length 1000mm)(1 set)

O-A-03-15 Automatic adjustable vertical and horizontal support of double laser markers (total length 1000mm)(1 set)



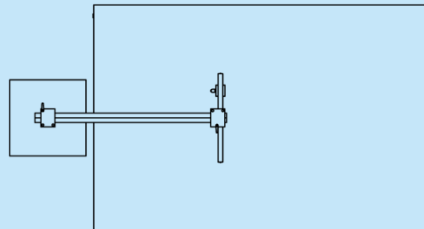
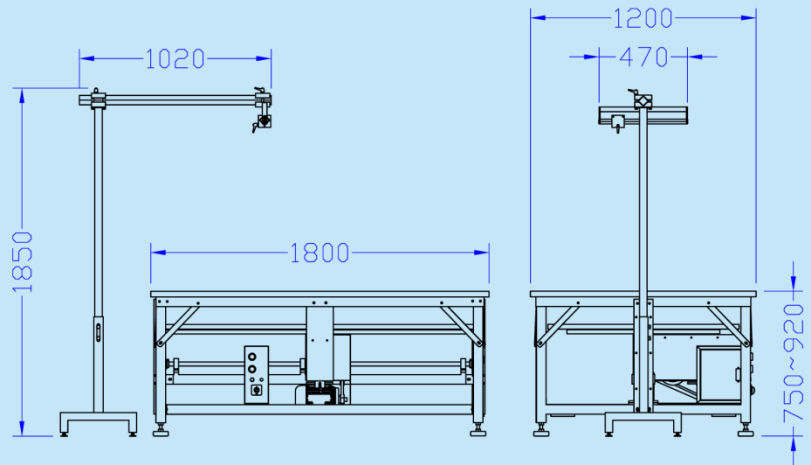
1. 對格
2. 插針
3. 固定布匹
4. 針板上升/下降微動開關

**選購件:**

1. Checker matching
2. Insert needle
3. Fix fabric
4. Table lifting micro switch

**Optional Accessories:**

5. NS-6202S-2M Straight Laser Marker-Red  
NS-6212S-2M Straight Laser Marker-Green
6. NS-6203C-2M Cross laser marker-Red  
NS-6213C-2M Cross laser marker-Green



NS-601 外形尺寸圖  
Overall Dimensions

型號 Model	電源 Power Supply	總功率(kW) Total Power	檯面尺寸(mm) Table Size	檯面高度(mm) Table Height	毛重(kg) Gross Weight	裝箱尺寸(mm) Packing Size
NS-601	1PH/220V/50Hz	0.25	1200x1800	750~920	388	2110x1340 x950
NS-601-L			1200x2400			2710x1340 x950



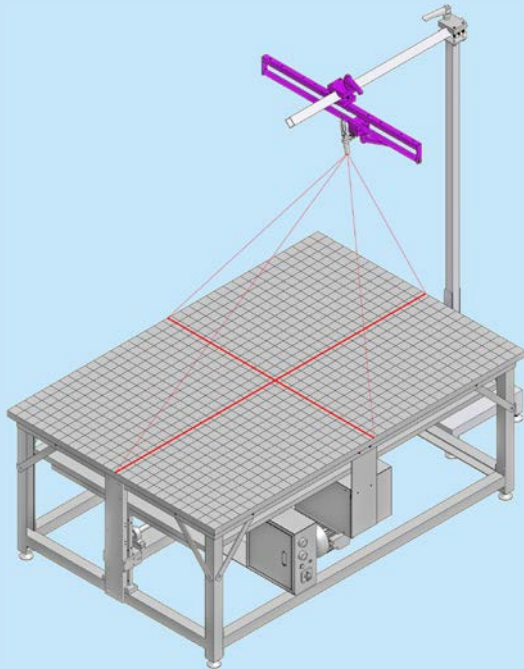
**藝誠(余氏)發展有限公司**  
**Ngai Shing Development Limited**

香港九龍長沙灣永康街52號地下  
G/F., 52 Wing Hong St.,  
Cheung Sha Wan, Kln., Hong Kong.

Tel: (852) 2741 9981, 2742 0078 E-MAIL: info@ngaishing.com  
Fax: (852) 2785 3149 Http://www.ngaishing.com

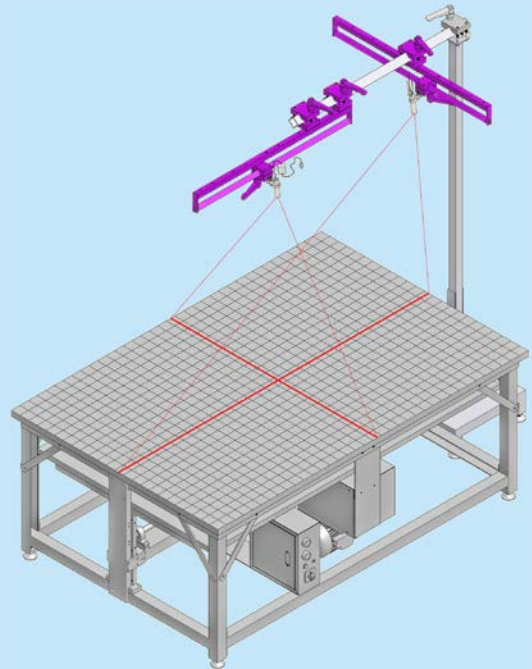
**選購件 Optional Accessories:**

- 1. O-A-03-12 縱向單鐳射燈可調支架總長900mm(1套)  
Adjustable vertical support of single laser marker (total length 900mm)(1 set)
- 2. NS-6203C-2M 十字鐳射燈 - 紅 (1支)  
Cross laser marker – Red (1pc)



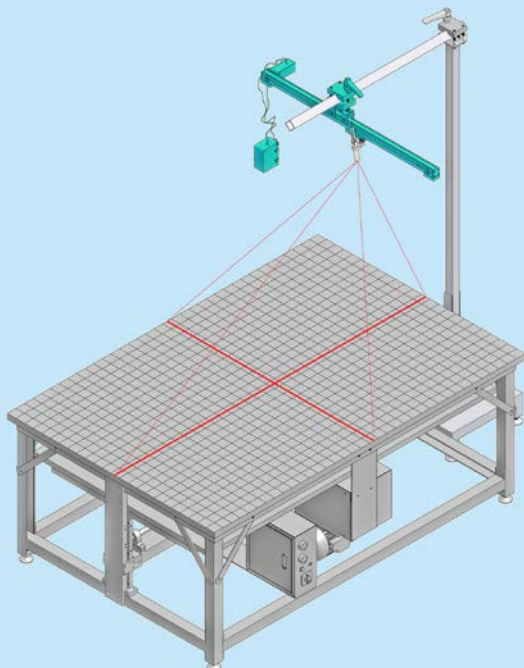
**選購件 Optional Accessories:**

- 1. O-A-03-13 縱橫雙鐳射燈可調支架總長900mm(1套)  
Adjustable vertical and horizontal support of double laser markers (total length 900mm)(1 set)
- 2. NS-6202S-2M 直線鐳射燈 - 紅(2支)  
Straight laser marker – Red (2pcs)



**選購件 Optional Accessories:**

- 1. O-A-03-14 縱向單鐳射燈自動可調支架總長1000mm(1套)  
Automatic adjustable vertical support of single laser marker (total length 1000mm)(1 set)
- 2. NS-6203C-2M 十字鐳射燈 - 紅(1支)  
Cross laser marker - Red (1pc)



**選購件 Optional Accessories:**

- 1. O-A-03-15 縱橫雙鐳射燈自動可調支架總長1000mm(1套)  
Automatic adjustable vertical and horizontal support of double laser markers (total length 1000mm)(1 set)
- 2. NS-6202S-2M 直線鐳射燈 - 紅(2支)  
Straight laser marker - Red (2pcs)

