

**NS-54-1 吸線頭機-無電眼感應**  
**Thread Cleaning Machine (Economic Model)**

**NS-55-1 吸線頭機連電眼感應**

**Thread Cleaning Machine with Electric Eye Sensor**



NS-54-1



NS-55-1

- 適用於吸去黏附在衣物上的浮線等雜物
- 長吸操作簡單、快捷
- 備濾積箱過濾浮線等雜物，易於清理，創造清潔的工作環境
- 每日平均產量可達2000件(8小時)
- NS-54-1 長吸
- NS-55-1 備感應電眼、多種操作方式供選擇，亦可單獨設定吸線時間

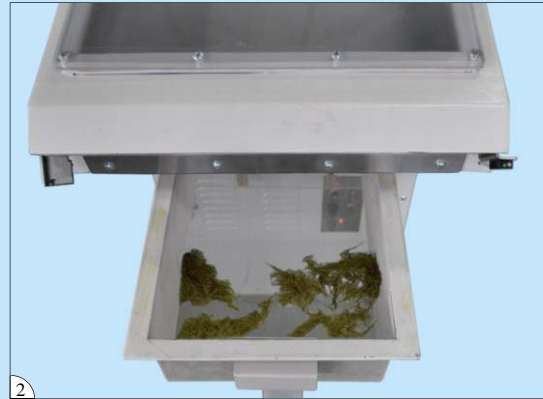
**選購件：** O-E-06-2 消聲除塵裝置

- Suck away loose threads stuck on the garment
- Continuous sucking operation, simple and easy
- Equipped with thread collecting basket for easy cleaning and clean working environment
- Average daily output 2000pcs (per 8 hours)
- NS-54-1 with continuously sucking function
- NS-55-1 with electric eye sensors and multiple operation modes for selection; in addition, the sucking time can be set independently

**Option:** O-E-06-2 Noise Reducing & Dedusting Device



1 操作示范圖 Operation demonstration



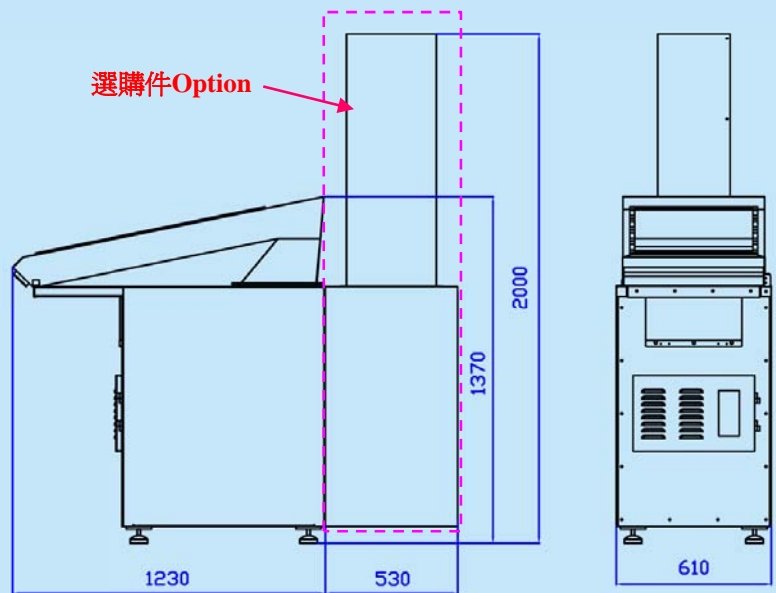
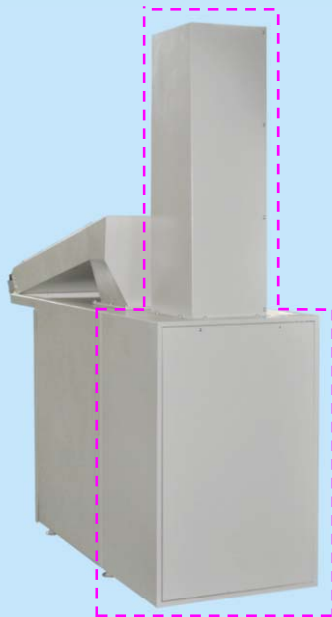
2 NS-55-1線頭過濾箱 Thread collecting basket



3 NS-55-1 操作面板 Operation panel



4 NS-55-1電眼感應 Electric eye sensors



選購件：O-E-06-2 消聲除塵裝置

Option：O-E-06-2 Noise Reducing & Dedusting Device

NS-55-1外形尺寸圖  
Dimension Diagram

型號 Model	電源 Power Supply	總功率(kW) Total Power	馬達功率(kW) Motor Power	吸線區尺寸LxW(mm) Sucking area	淨重(kg) Net Weight	毛重(kg) Gross Weight	機身尺寸(mm) Machine Size
NS-54-1	3PH/380V/50Hz	3.1	3	1250x560	250	310	610x1230x1370
NS-55-1					255	315	610x1230x1370



**藝誠(余氏)發展有限公司**  
**Ngai Shing Development Limited**

香港九龍長沙灣永康街52號地下  
G/F., 52 Wing Hong St.,  
Cheung Sha Wan, Kln., Hong Kong.

Tel: (852) 2741 9981, 2742 0078 E-MAIL: info@ngaishing.com  
Fax: (852) 2785 3149 Http://www.ngaishing.com