

NS-3706

全蒸氣熨鬥(手撥式)

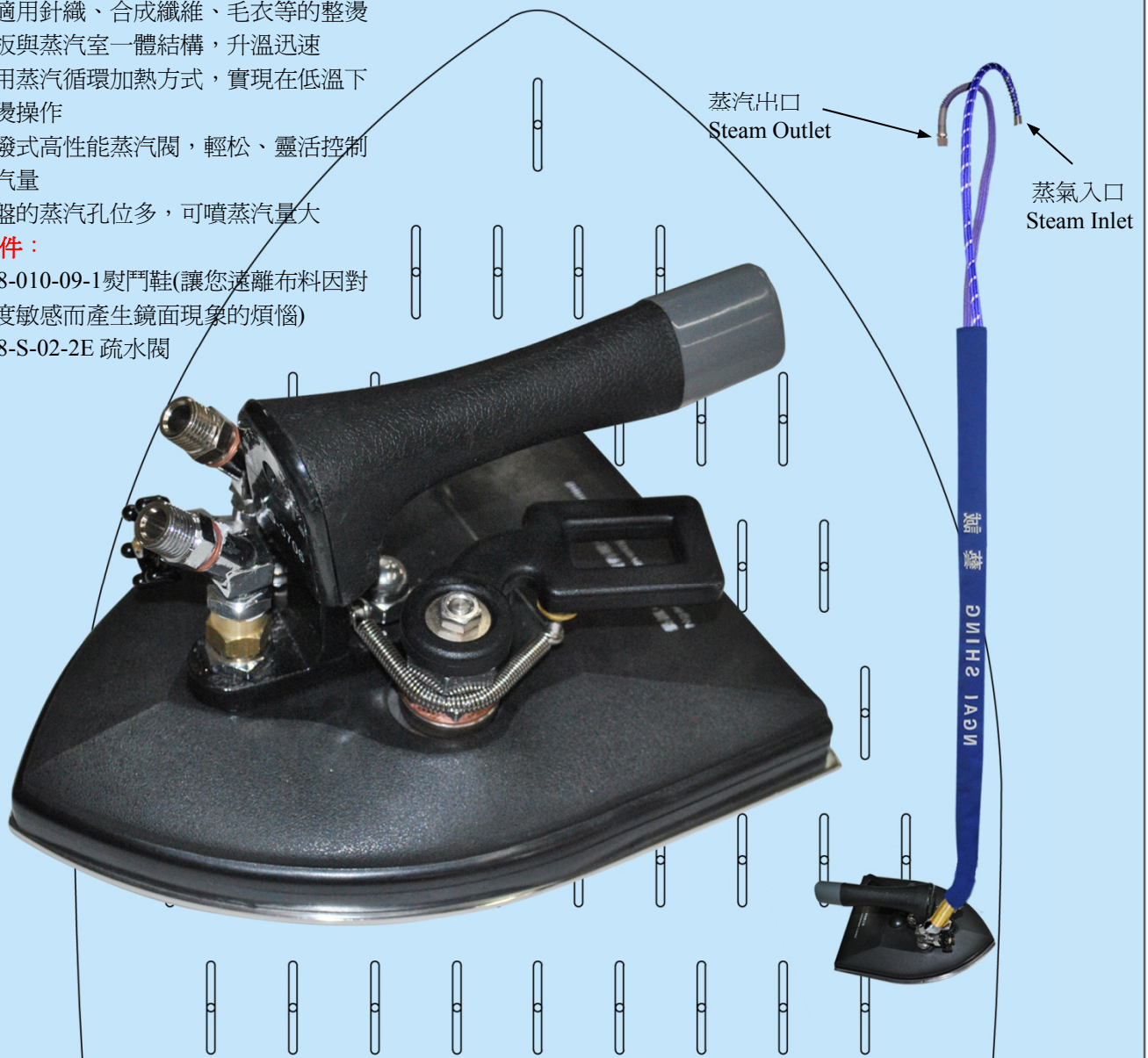
Steam Heated Iron (Swing Handle Type)



- 最適用針織、合成纖維、毛衣等的整燙
- 底板與蒸汽室一體結構，升溫迅速
- 採用蒸汽循環加熱方式，實現在低溫下熨燙操作
- 手撥式高性能蒸汽閥，輕鬆、靈活控制蒸汽量
- 底盤的蒸汽孔位多，可噴蒸汽量大

選購件：

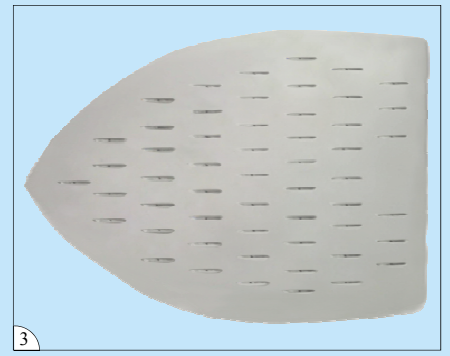
- C28-010-09-1 熨鬥鞋(讓您遠離布料因對溫度敏感而產生鏡面現象的煩惱)
- C18-S-02-2E 疏水閥



- Best for ironing knitted, synthetic fiber, sweater, etc.
- Iron sole and steam chamber are as a whole, temperature rising quickly
- Apply steam circulation heating mode, it could be operated in low temperature
- Swing handle type steam valve could control steam volume flexibly
- The iron sole is of many steam holes, so it could spray large amounts of steam

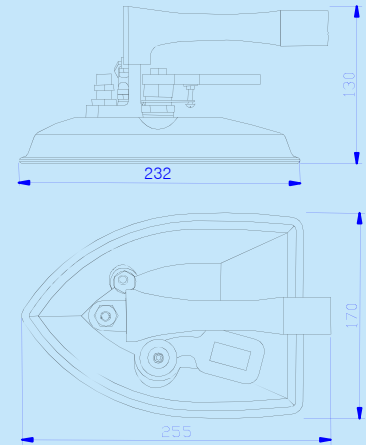
Options:

- C28-010-09-1 Special designed Teflon shoe (Its thermal insulation helps you get rid of the annoyance caused by heat sensitive fabric)
- C18-S-02-2E Steam trap



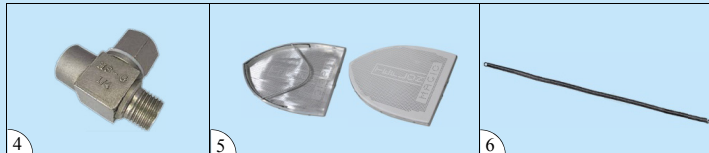
1. 採用蒸汽循環加熱方式，實現低溫熨燙都不會漏水
2. 蒸汽室連底板採用不銹鋼製造
3. 蒸汽孔位多，可噴蒸汽量大，最適於熨燙較厚面料衣物

1. Apply steam circulation heating mode, there is no water leakage even when ironing in lower temperature
2. Steam chamber with sole is made of stainless steel
3. Many steam holes could spray large amounts of steam, which is best for ironing thick fabric



熨鬥尺寸簡圖
Iron Dimensions Diagram (mm)

選購件 Options



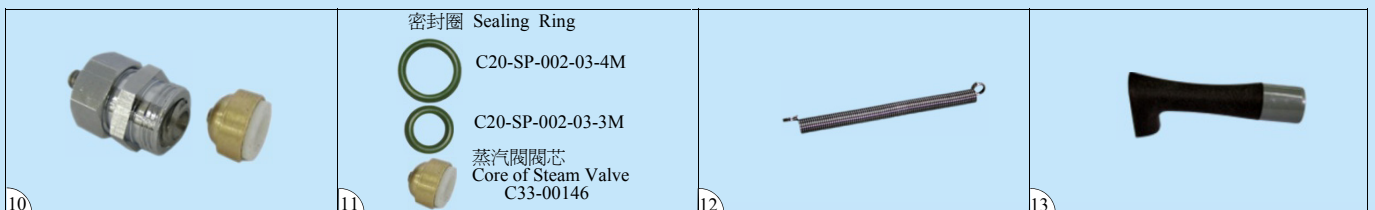
- | | | |
|--|------------------------------------|--|
| C18-S-02-2E
疏水閥(1/4")
Steam Trap(1/4") | C28-010-09-1
熨鬥鞋
Teflon Shoe | C31-CES-10-33M
吊熨鬥彈簧
Iron Hanging Spring |
|--|------------------------------------|--|

跟機件 Delivered



- | | | |
|------------------------------|--|-----------------------------------|
| C33-00082
燙鬥墊
iron pad | C17-RP-004-1M
3米原子喉連接頭×2條
3m Teflon hose with
fitting × 2 pcs | APT15-00068
布套
Cloth Sleeve |
|------------------------------|--|-----------------------------------|

易損件 Wearings



C33-3700-1-1
蒸汽閥連閥芯
Steam Valve with Core

密封圈 Sealing Ring
C20-SP-002-03-4M
C20-SP-002-03-3M
蒸汽閥閥芯
Core of Steam Valve
C33-00146

C33-3700-4
手撥回位彈簧
Swing Handle
Return Spring

C33-3700-3
熨鬥手柄
Iron Handle

型號 Model	蒸汽壓力(kgf/cm ²) Steam Pressure	蒸汽開關 Steam Valve	耗蒸汽量(kg/h) Steam Consumption	最高設計溫度(°C) Max. Designed Temp.	淨重(kg) Net Weight	熨鬥底尺寸(mm) Sole Size
NS-3706	3~5	手撥式 Swing handle type	5	135	2.6	232×170



藝誠(余氏)發展有限公司
Ngai Shing Development Limited

香港九龍長沙灣永康街52號地下
G/F., 52 Wing Hong St.,
Cheung Sha Wan, Kln., Hong Kong.

Tel: (852) 2741 9981, 2742 0078 E-MAIL: info@ngaishing.com
Fax: (852) 2785 3149 Http://www.ngaishing.com