

**NS-3531 / NS-3533**

**單臂橋形抽濕熨台**

**Single Buck Bridge Type Vacuum Ironing Table**



**NS-3531**



**NS-3533**

- 適用於襯衫掛裝熨燙及襯衫中燙、執燙
- 具有操作簡單、快捷、占地小、檯面高度可調等優點
- 高質風葉、抽風力強、起動及停止速度快
- 採用耐熱熨布和泡棉熨氈
- 組合式設計，方便運輸，安裝容易
- 台面及熨臂備發熱線，減低積水

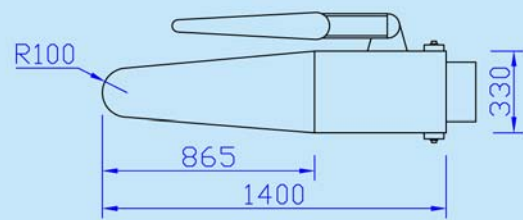
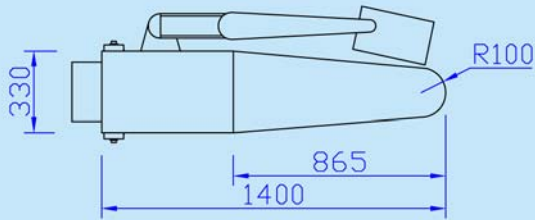
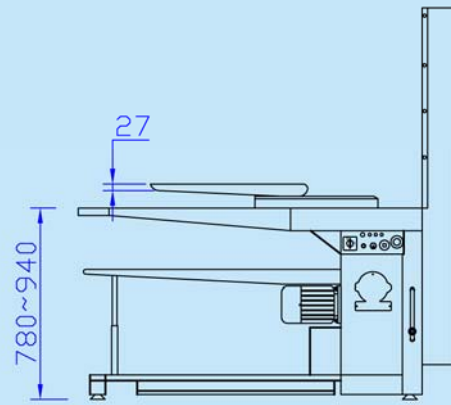
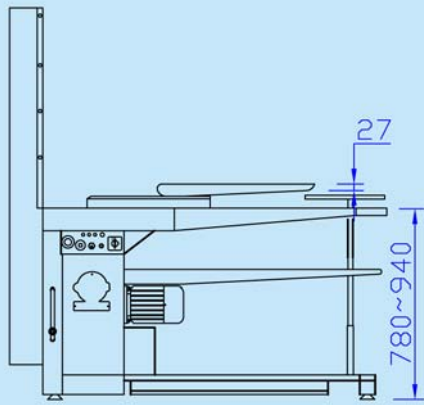
**選購件:**

- O-E-07-1 日光燈
- O-E-01-3 吊熨斗架C

- Suitable for on-hanger-shipment shirt pressing, shirt under pressing and pre-pressing
- Advantages include easy and simple operation, small occupation area, adjustable table height etc.
- High quality fan has strong vacuuming power, fast start and stop
- Heat resistance ironing cloth and spongy foam
- Combination structure for easy transportation and installation
- Table top and buck with heater could reduce water accumulation

**Options:**

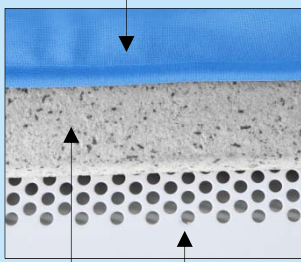
- O-E-07-1 Fluorescent lamp
- O-E-01-3 Iron hanger C



NS-3531

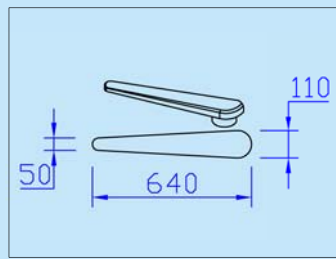
NS-3533

耐熱熨布  
Heat resistant fabric

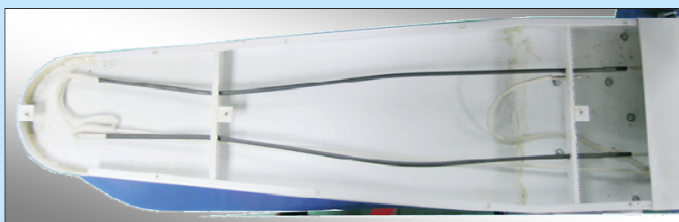


泡棉熨氈  
Ironing Felt

網板  
Perforated board



US萬能袖架  
Universal Sleeve Buck



檯面備有發熱線，可減低積水，以保持檯面干燥  
The table has heaters, which can reduce water accumulation and keep the table surface dry

**選購件 Option:**



O-E-07-1 日光燈(需配合吊熨斗架安裝)  
Fluorescent lamp(need iron hanger for installation)



O-E-01-3 吊熨斗架C  
Iron hanger C

型號 Model	電源 Power supply	總功率(kW) Total Power	風機功率(kW) Fan Power	檯面發熱線(kW) Table top heater	熨臂發熱線(kW) Ironing arm heater	重量(kg) Weight	機身尺寸(mm) Machine size
NS-3531	3PH/380V/50Hz	1.8	0.9	0.6	0.2	170	1530x530x1640
NS-3533							



**藝誠(余氏)發展有限公司**  
**Ngai Shing Development Limited**

香港九龍長沙灣永康街52號地下  
G/F., 52 Wing Hong St.,  
Cheung Sha Wan, Kln., Hong Kong.

Tel: (852) 2741 9981, 2742 0078 E-MAIL: info@ngaishing.com  
Fax: (852) 2785 3149 Http://www.ngaishing.com