

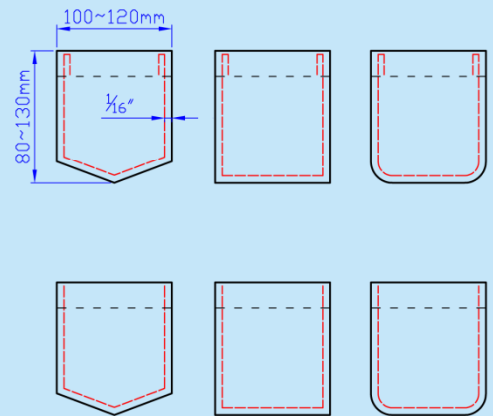
NS-6368J

自動針織貼袋機

Automatic Knitwear Pocket Setter



	2	2800RPM	DB x 1 #12	



- 適用於自動縫製針織口袋，可自動折疊口袋，然後自動縫製
- 採用PLC可編程控制器控制及人性化觸摸顯示屏，操作方便快捷
- 可根據工藝要求更換摺袋模具
- 雙工位設計，可同時擺料與車縫，提高工作效率
- 自動收料裝置，收料整齊美觀
- 車縫工序自動化，適合非熟練工人操作

- Suitable for automatic sewing pocket of knitwear. Pockets are folded and sewn automatically
- Adopt PLC and user-friendly touch screen for operation, fast and easy
- Pocket folding template can be changed according to process requirement
- Dual-station design enables material laying and sewing to be performed efficiently at the same time
- With automatic collecting device to arrange finished work pieces neatly
- The whole process of sewing is so automated that even unskilled operator can handle it

跟機件：

縫紉機(JUKI DDL-8000A)
M22110102 不銹鋼三尖針織袋模

選購件：

M22110202 不銹鋼四方針織袋模
M22110302 不銹鋼圓角針織袋模

Standard:

Sewing head (JUKI DDL-8000A)
M22110102 Stainless steel triangular bottomed knitwear pocket template

Option:

M22110202 Stainless steel square bottomed knitwear pocket template
M22110302 Stainless steel round corner knitwear pocket template

型號 Model	適用衣車頭機型 Applicable Sewing Head Model	電源 Power Supply	總功率(kW) Total Power	車縫至袋邊距離 (inch) Stitch-Edge Distance	針距長度 (mm) Stitch Length	裝袋最大尺寸 (mm) Max. Pocket Size	裝袋最小尺寸 (mm) Min. Pocket Size	壓縮空氣壓力(kgf/cm ²) Compressed Air Pressure
NS-6368J	JUKI DDL-8000A	1PH/220V/50Hz	1.25	1/16	1.4~2.5	120x130	100x80	5



藝誠(余氏)發展有限公司
Ngai Shing Development Limited

香港九龍長沙灣永康街52號地下
G/F., 52 Wing Hong St.,
Cheung Sha Wan, Kln., Hong Kong.

Tel : (852) 2741 9981, 2742 0078 E-MAIL: info@ngaishing.com
Fax: (852) 2785 3149 Http://www.ngaishing.com