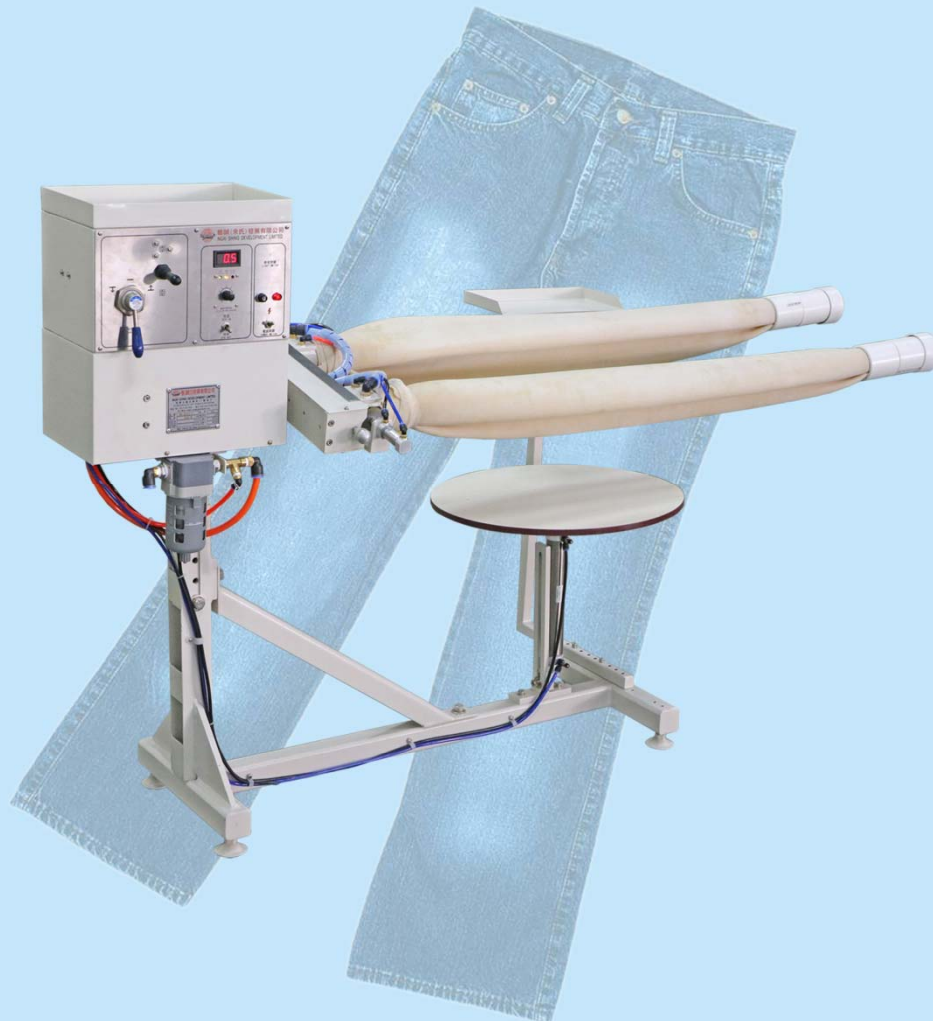


**NS-8634**  
**臥式褲像架**  
**Horizontal Trousers Frame**



- 適用於牛仔褲表面處理，通過手工工具對褲表面進行打磨，從而形成局部表面特殊效果
- 備自動充氣保護裝置：
  - 有效地保護特殊布料因充氣壓力過大而損壞其結構
  - 使褲像套內的氣壓更均勻、穩定，確保手擦效果一致
  - 避免褲像套因壓力過大而損壞
- 褲像可自由旋轉，配合碟刹定位裝置，方便操作
- 機身高度可調節，操作更方便；並設有氣動褲像托盤，提高工作效率
- 獨特氣動閥控制，可實現快速排氣
- 雙褲管間距可調節

**選購件：**

各種橡膠褲像套  
燈架

- Suitable for brushing jeans' surface and get special effect partially by using some manual tools
- With protective device for automatic air inflating:
  - could effectively protect the structure of some special fabrics from being damaged due to over inflation
  - could also keep air pressure in dummy even and more stable and make sure the brushing effect for every batch of trousers is consistent and perfect
  - could also effectively protect the trousers' air bag and avoid damage due to over inflation
- The trousers' dummy could rotate freely, working together with disc braking positioning device for convenient brushing
- The frame height is adjustable for more convenient operation and it is also fixed with a pneumatic supporting table for high efficiency
- Specially designed pneumatic valves for swift air discharging
- Adjustable distance between two legs

**Options:**

Various rubber trousers dummy  
Fluorescent Lamp Stand



穿褲  
Putting on trousers



磨褲  
Brushing trousers

**選購件 Option:**

燈架  
Fluorescent Lamp Stand  
O-H-08-1



**選購件 Option:**

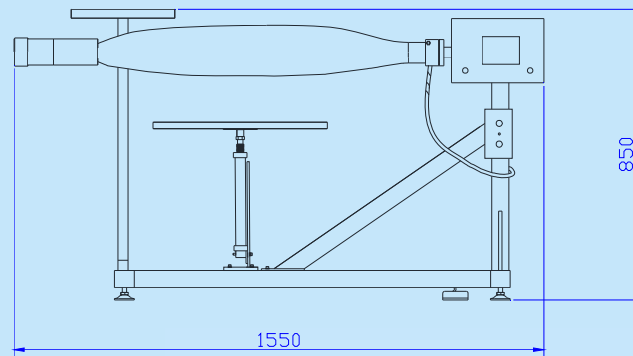
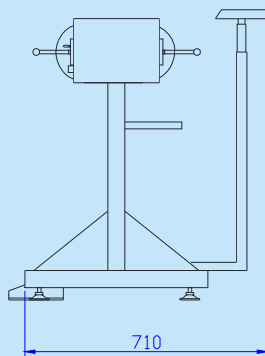
橡膠褲像套  
Rubber Trousers Dummy  
C17-RP-010-1-1 (大碼 Large size)  
C17-RP-010-1-2 (中碼 Middle size)  
C17-RP-010-1-3 (小碼 Small size)



以上圖示為2條橡膠褲像  
Above shown is 2 pcs of  
Rubber Trousers Dummy

**跟機件 Standard:**

橡膠褲像套  
Rubber Trousers Dummy  
C17-RP-010-1-2 (中碼 Middle size)



機身外形圖Machine Size (Unit : mm)

型號 Model	電源 Power Supply	總功率(kW) Total Power	壓縮空氣壓力(kgf/cm <sup>2</sup> ) Compressed Air Pressure	耗壓縮空氣量(L/min) Compressed Air Consumption	機身尺寸(mm) Machine Size
NS-8634	1PH/220V/50Hz	0.2	5	30	1550x710x850



**藝誠(余氏)發展有限公司**  
**Ngai Shing Development Limited**

香港九龍長沙灣永康街52號地下  
G/F., 52 Wing Hong St.,  
Cheung Sha Wan, Kln., Hong Kong.

Tel: (852) 2741 9981, 2742 0078 E-MAIL: info@ngaishing.com  
Fax: (852) 2785 3149 Http://www.ngaishing.com