

NS-8245P
自動平面壓平機
Automatic Flat Press



- 本機適用於領、衫身的壓熨以及熨畫和低壓模的粘合
- 鉸剪式動作，使操作速度靈巧
- 自動加壓時間及自動恆溫
- 採用PLC配合人機對話界面(HMI)，多程式壓燙選擇
- 根據不同布料選擇不同壓熨方式：輕壓、重壓
- 上模採用電加熱，工作溫度可達200℃
- 下模可抽濕，有助衣物定位、冷卻，定型效果佳

跟機件：

真空抽濕系統

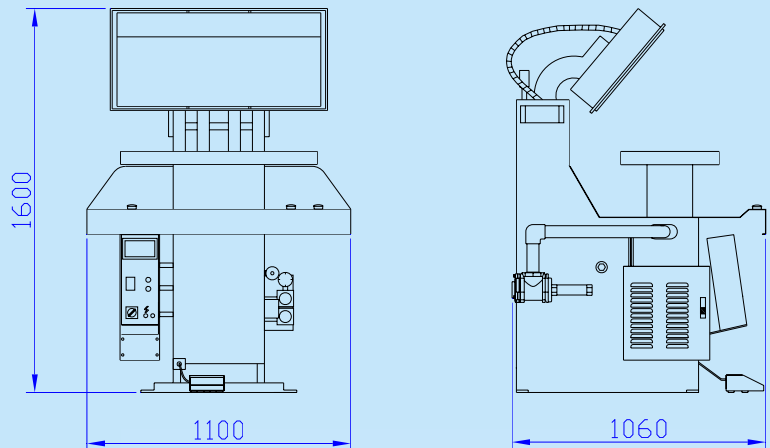
- Suitable for collar and shirt front pressing, transfer printing and low pressure fusing of interlining
- Scissor action designed for agile operation
- Automatic control of increased pressure duration and temperature
- Adopts PLC & touch screen with multiple programs for selection
- Different pressing modes, i.e. light press and heavy press can be selected to cater for various fabric
- Upper mould is electric heated with maximum operating temperature 200℃
- The lower mould can vacuum for garment fixing and cooling with fine shaping effect

Standard:

Vacuuming system



1. 介英壓熨操作
 2. 前幅壓熨操作
 3. 控制面板与電箱
 4. 真空抽濕系統
1. Cuff pressing
 2. Shirt front pressing
 3. Control panel & power box
 4. Vacuuming system



NS-8245P機身外形圖
Machine Size

型號 Model	電源 Power supply	總功率(kW) Total Power	真空泵功率(kW) Vacuum Pump Power	下模尺寸(mm) Lower Mould Size	壓縮空氣壓力(kgf/cm ²) Compressed Air Pressure	耗壓縮空氣量(L/min) Compressed Air Consumption	淨重 (kg) Net Wt.	毛重 (kg) Gross Wt.	機身尺寸 (mm) Machine Size
NS-8245P	3PH/380V/50Hz	6.4	1.5	810x410	5	100	450	550	1100x1060x1600



藝誠(余氏)發展有限公司
Ngai Shing Development Limited

香港九龍長沙灣永康街52號地下
G/F., 52 Wing Hong St.,
Cheung Sha Wan, Kln., Hong Kong.

Tel: (852) 2741 9981, 2742 0078 E-MAIL: info@ngaishing.com
Fax: (852) 2785 3149 Http://www.ngaishing.com