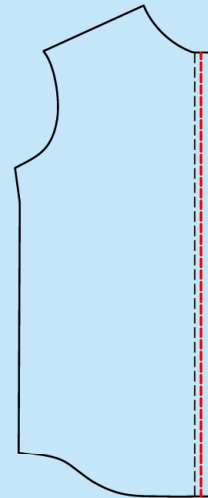
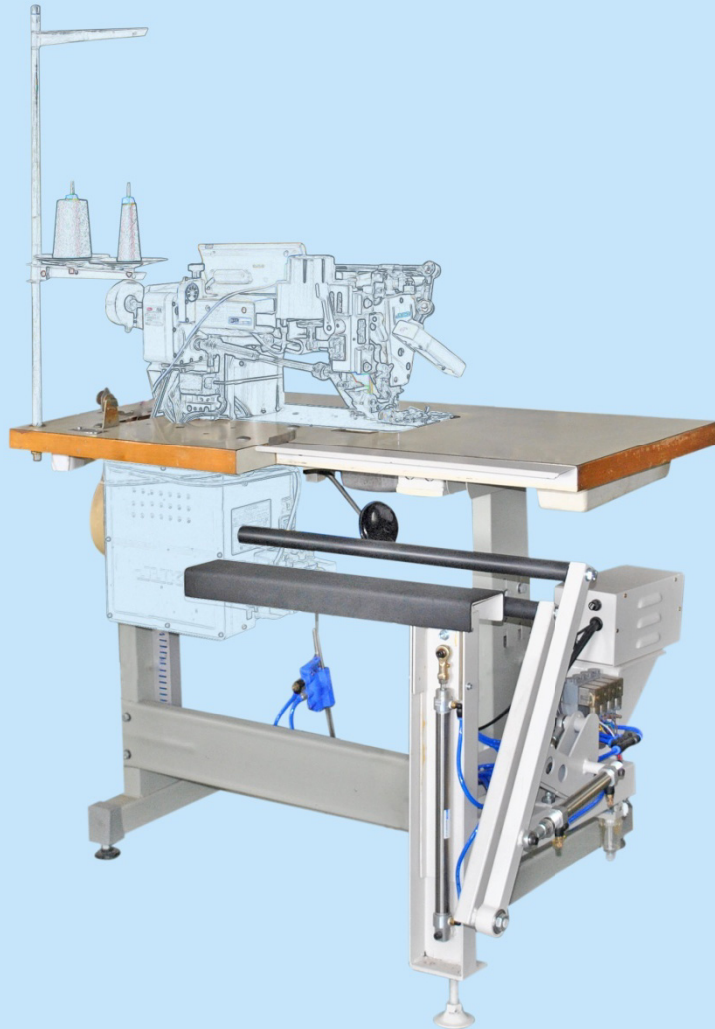


## NS-6001-1

### 襯衫前幅鈕子收料架

### Shirt Front Button Stacker



- 配合單針平車，車縫男女裝前幅鈕子，並將裁片整齊疊好，節省人手提高效率
- 撥布桿自動撥布
- 疊布架能提升，使操作者能在原位取裁片
- 結構緊湊美觀，易於安裝、清潔及維護
- 用戶需自備衣車頭

#### 跟機件：

吹風檯板、腳架

- Best for front button placket sewing for single-needle lockstitch machine and stacks sewn pieces in order to save labor and increase efficiency
- Fabric spread rod can spread fabric automatically
- Fabric stacking stand can uplift and enable the operator to take sewn pieces from seat
- Distinct and compact structure, easy to install, clean and maintain
- Users need prepare sewing machine head

#### Standards:

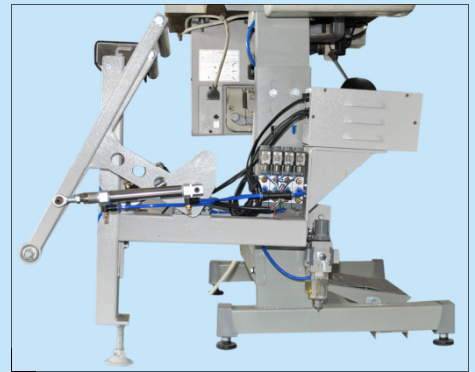
Table Top With Air Blowing, Stand



收料架運行工作中  
The stacker is in operation





原位取料  
Take a bundle of sewn pieces from seat

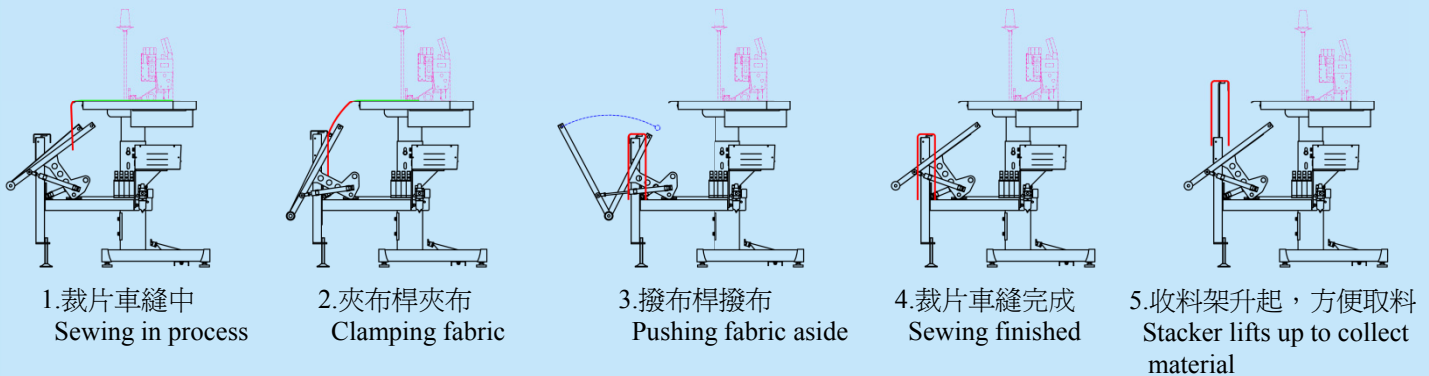


便於安裝  
Easy to install

**跟機件：**  
**Standard accessories:**

<p>吹風檯板 Table Top With Air Blowing</p> 	<p>A3001-1 L-型車腳架 L-shaped stand</p> 
--	--

收料架流程圖 Flow chart of working process :



型號 Model	適用衣車頭品牌 Brand of the Sewing M/c to be matched	適用衣車頭機型 Model of the Sewing M/c to be matched	電源 Power Supply	總功率(kW) Total Power	壓縮空氣壓力 (kgf/cm <sup>2</sup> ) Compressed Air Pressure	耗壓縮空氣量(L/min) Compressed Air Consumption	淨重(kg) Net Weight	機身尺寸(mm) Machine Size	裝箱尺寸(mm) Packing Size
NS-6001-1	重機 JUKI	DDL-5550N	1PH/220V/50Hz	0.05	5	10	54	1140×730×800	1300×890×950
		DDL-5550N-3							
		DDL-5550N-7							
		DDL-8700							
		DDL-8700-7							
		DDL-9000A							
	兄弟 BROTHER	DDL-9000B							
		DB2-737-413							
		DB2-B735							
		S-7200A							
		S-7200B							



**藝誠(余氏)發展有限公司**  
**Ngai Shing Development Limited**

香港九龍長沙灣永康街52號地下  
G/F., 52 Wing Hong St.,  
Cheung Sha Wan, Kln., Hong Kong.

Tel: (852) 2741 9981, 2742 0078 E-MAIL: info@ngaishing.com  
Fax: (852) 2785 3149 Http://www.ngaishing.com