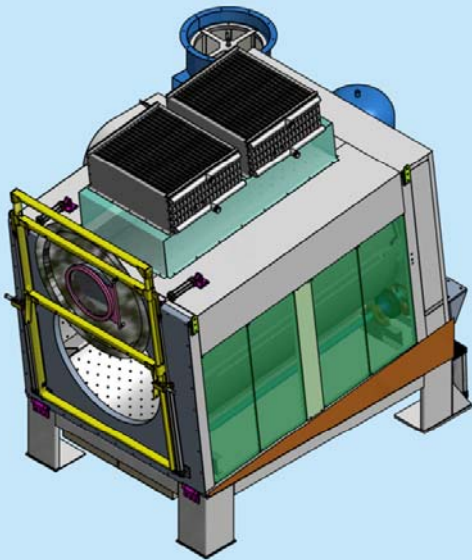


NS-2806A-4
工業乾衣機
Industrial Drying Machine



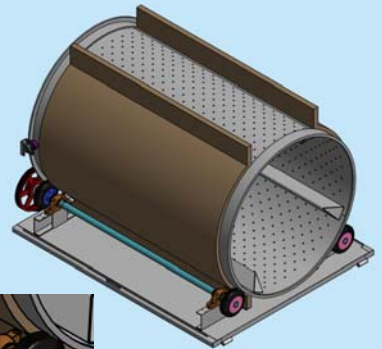
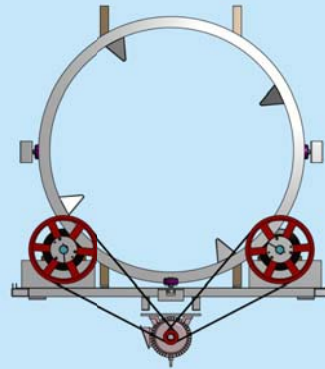
- 適用於烘乾各種棉織、牛仔、梭織、針織、化纖等衣物
 - 前門入料，**前門出料**
 - 采用PLC可編程控制器控制及人性化操作界面觸摸顯示屏操作
 - 采用變頻控制系統，內膽轉動可實現變頻調速，可定時正、反轉動，使衣物均衡滾動
 - 采用氣動升降門控制裝置，實現自動開關門，還設有手動小門，方便檢測
 - 備自動除塵裝置，降低對空氣質量造成的負面影響
 - 機身可傾斜，方便自動倒料，減少人工
- Suitable for drying garments of various fabrics such as cotton, jeans, woven fabric, knit fabric, synthetic fabric, etc.
 - Front loading and **front unloading**
 - Adopt PLC and user friendly touch screen for operation
 - Inverter controlled inner drum speed variation; clockwise or anti clockwise rotation according to preset time enable garments to change their position and attitude freely
 - With pneumatic device to control door lifting up and down and a small window for checking the drying status of garments
 - Equipped with dust collecting device to minimize negative impact to the air quality
 - Machine body could tilt to unload garments automatically



前門入料，前門出料
Front loading and unloading



特制加厚保溫裝置，有效減少熱能損耗
Effective heat loss reducing device due to increased thickness of heat insulation layer



瓦斯熱交換器(原裝意大利燃燒機)
Gas Heat Exchanger (Burner is imported from Italy)



蒸汽熱交換器(帶冷風門)
Steam Heat Exchanger (with Pneumatic Air Damper)

- 採用中置馬達傳動，動力輸出損耗少，同時出力更均勻
- 特殊設計傳動方式，可有效降低內膽與外膽之間的距離，使工作時熱能利用率更高，減少能耗浪費
- 兩軸四驅，全接觸式傳動
- 無中軸設計，減少傳動損耗
- 四輪承重更平均，內膽前後受力一致，可使內膽使用週期更長
- 可採用前後開門設計，方便操作

- Motor is in centerline, lower output power loss, even driving force
- Special transmission enable smaller space between inner and outer drums, thereby higher heat utilization rate and lower energy loss
- 2 shafts 4 drives, full contact transmission
- Reduced transmission loss due to no center shaft
- Weight equally born by 4 wheels; even force applied to inner drum front and rear sides, therefore longer service life
- Door can be opened from front and rear sides for easy operation

型號 Model	內膽容積(m ³) Inner Drum Capacity	加熱方式 Heating Mode	電源 Power Supply	總功率 Total Power	內膽馬達功率(kW) Inner Drum Motor Power	抽風馬達功率(kW) Vacuum Motor Power	壓縮空氣壓力(kgf/cm ²) Compressed Air Pressure	內膽尺寸(mm) Inner Drum Size
NS-2806A-4-S	4	蒸汽熱型 Steam heated	3PH/380V/50Hz	11.2	5.5	5.5	5	Ø1480x2335
NS-2806A-4-G		瓦斯熱型 Gas heated						



藝誠(余氏)發展有限公司
Ngai Shing Development Limited

香港九龍長沙灣永康街52號地下
G/F., 52 Wing Hong St.,
Cheung Sha Wan, Kln., Hong Kong.

Tel: (852) 2741 9981, 2742 0078 E-MAIL: info@ngaishing.com
Fax: (852) 2785 3149 Http://www.ngaishing.com