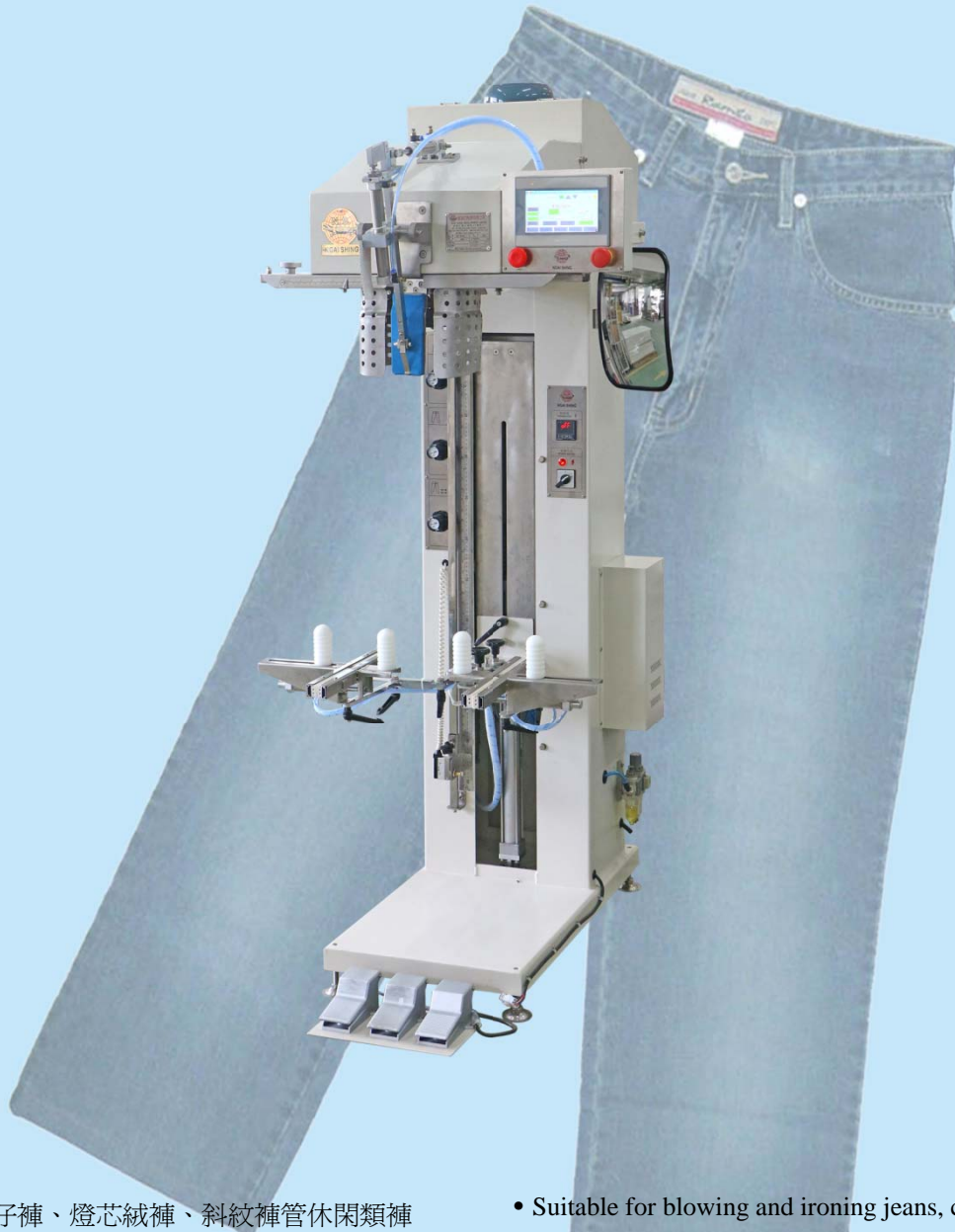


NS-8510-1
褲像整熨機
Trousers Finisher



- 適用於吹熨牛仔褲、燈芯絨褲、斜紋褲管休閒類褲
- 採用PLC控制器控制及人性化觸摸顯示屏操作
- 可吹熨長褲和短褲
- 操作簡單，維修容易
- 備兩種褲長控制功能和兩種拉褲方式：
 - 褲長控制：原褲長、設定褲長
 - 拉褲方式：直拉式、脈沖式
- 備加熱器，提高噴蒸汽質量
- 備變頻器，用戶可根據生產需求調節風量及吹風時間
- 多種噴蒸汽和吹風方式選擇，滿足不同工藝需求

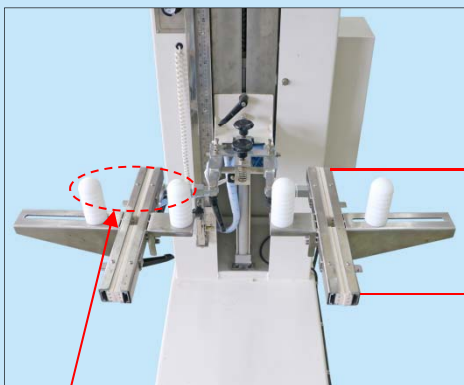
- Suitable for blowing and ironing jeans, corduroy and twill trousers
- Adopt PLC and user friendly touch screen for operation
- Can process trousers as well as shorts
- With two trousers length controls and two trousers stretching modes:
 - Length controls: original length, preset length
 - Stretch modes: downward stretch, pulse action
- With heater to improve steam spraying quality
- With inverter for users to adjust air blowing rate and time according to production requirement
- Multiple steam spraying and air blowing modes available to meet requirements of different processes



適用於牛仔褲，有立體感、效果自然
Fit for jeans, natural 3D effect



可吹熨短褲
Fit for shorts blowing and ironing



褲夾長度(inch)
Trousers clamp
length: 13

褲腳周長(inch)
Trousers bottom girth: 16~28



備加熱器，提高蒸汽質量
Heater for high steam quality



夾褲腳式
Legger clamping mode



拉褲管式
Legger stretching mode

型號 Model	電源 Power Supply	總功率 (kW) Total Power	發熱線功率 (kW) Heater Power	壓縮空氣壓力 (kgf/cm ²) Compressed Air Pressure	耗壓縮空氣量 (L/min) Compressed Air Consumption	蒸汽壓力 (kgf/cm ²) Steam Pressure	耗蒸汽量 (kg/hr) Steam Consumption	可吹燙褲頭尺寸 (inch) Processable Topper Size	可吹燙最大褲長尺寸 (inch) Max. Processable Trousers Length	機身尺寸(mm) Machine Size
NS-8510-1	3PH/380V/50Hz	3.8	1.5	5	26	3.5~5	20	27~43	51	890×1525×2040



藝誠(余氏)發展有限公司
Ngai Shing Development Limited

香港九龍長沙灣永康街52號地下
G/F., 52 Wing Hong St.,
Cheung Sha Wan, Kln., Hong Kong.

Tel: (852) 2741 9981, 2742 0078 E-MAIL: info@ngaishing.com
Fax: (852) 2785 3149 Http://www.ngaishing.com