

**NS-8319P**

**自動電加熱式褲頭壓平機**

**Automatic Electric Heated Topper Press**



- 適用於褲頭壓熨
- 鉸剪式動作，使操作速度靈巧
- 採用PLC配合人機對話界面(HMI)，多程式壓燙選擇
- 根據不同布料選擇不同壓熨方式：輕壓、重壓
- 上、下可噴蒸氣及蒸汽保溫設計，下模備抽濕功能
- 上模採用電加熱，工作溫度可達180°C
- 噴蒸汽孔分布均勻，使壓熨效果更佳

**選購件：**

NS-3400系列真空抽濕泵

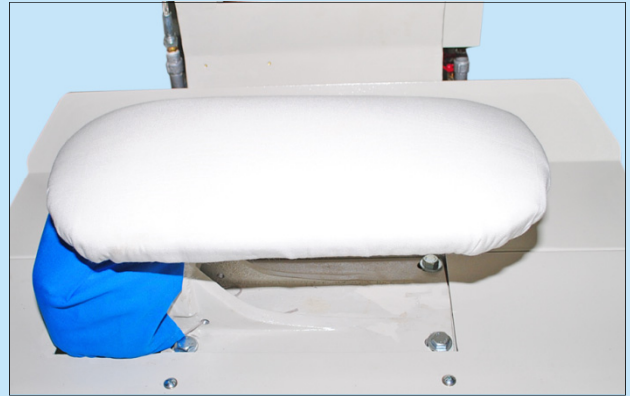
- Suitable for pressing trousers topper
- Scissor action design for fast operation
- Adopt PLC & user-friendly touch screen interface; multiple pressing programs available for selection
- Different pressing modes (light press, heavy press) to cater for different requirement of various fabrics
- Both upper and lower moulds can spray steam, plus heat preservation design; the lower mould could vacuum
- Upper mould is electric heated and the operating temperature can reach 180°C
- Uniformly distributed steam spraying holes make better pressing effect

**Option:**

NS-3400 series vacuum pump



特設安全保護欄  
Special safety frame



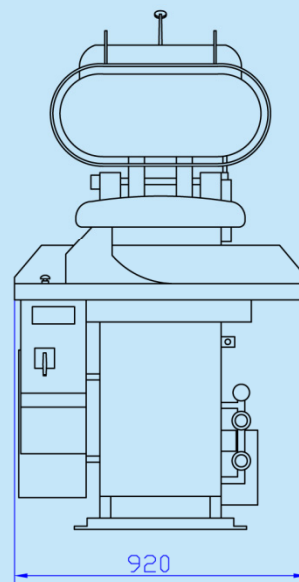
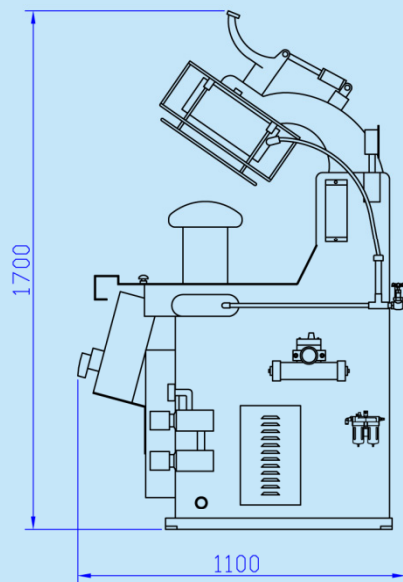
下模  
Lower mould



控制電箱  
Electric Control Box



操作中  
In working



型號 Model	電源 Power Supply	總功率(kW) Total Power	壓縮空氣壓力(kgf/cm <sup>2</sup> ) Compressed Air Pressure	耗壓縮空氣量(L/min) Compressed Air Consumption	耗蒸汽氣量(kg/hr) Steam Consumption	淨重(kg) Net Weight	機身尺寸(mm) Machine Size
NS-8319P	3PH/380V/50Hz	2.5	5	100	12	340	920×1100×1700



**藝誠(余氏)發展有限公司**  
**Ngai Shing Development Limited**

香港九龍長沙灣永康街52號地下  
G/F., 52 Wing Hong St.,  
Cheung Sha Wan, Kln., Hong Kong.

Tel: (852) 2741 9981, 2742 0078 E-MAIL: info@ngaishing.com  
Fax: (852) 2785 3149 Http://www.ngaishing.com