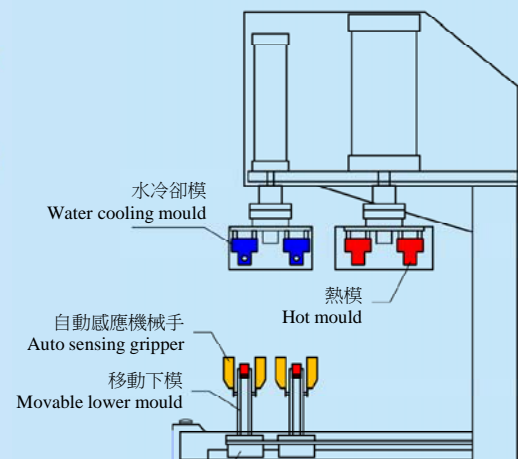
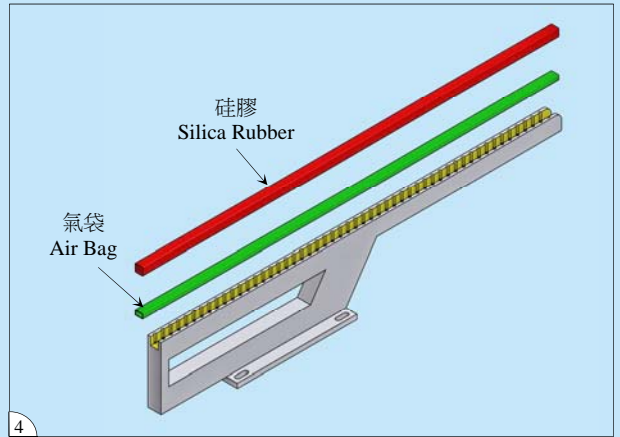


NS-8402C 自動恤衫側縫拉伸壓平機連冷卻系統 Automatic Shirt Side Seam Spreading Press with Cooling System



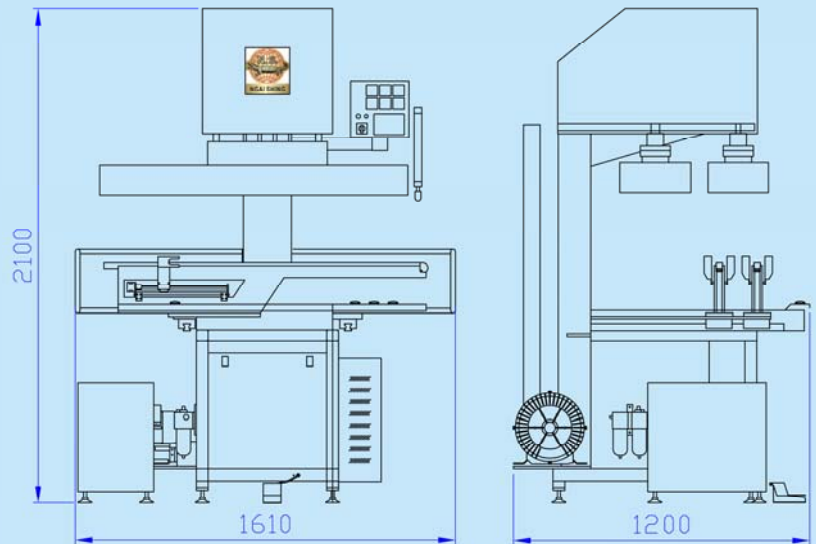
- 適用於襯衫側縫粘合壓熨
- 下模備有自動感應機械手，輔助拉伸布料，用戶可根據布料皺縮程度調節拉伸尺寸，配合熱模和冷模交替式壓熨定型，減少車縫導致的布料縮皺和橫布冷縮導致的側縫縮皺
- 採用PLC可編程控制器控制及人性化觸摸顯示屏操作
- 下模水平移位配合上模垂直加壓方式，壓力分佈均勻，壓熨更平整
- 發熱模備有輕壓、重壓方式供選擇設定，配合六個獨立數字式溫度控制器控制，溫度控制精確，可滿足不同面料需求
- 冷卻模採用獨立水冷系統，冷卻速度快且定型效果好
- 下模氣袋配合耐壓的高溫矽膠條，可消除側縫壓熨時側縫與袖山底骨位的厚薄偏差，達到最佳壓熨效果
- 獨立真空抽濕泵，有助衣物定位、冷卻，定型效果佳
- 側縫壓熨長度800~1050mm，側縫壓熨寬度23mm

- Suitable for shirt side seam fusing and pressing
- The lower mould is equipped with automatic sensing grippers to assist in stretching the fabric. Users can adjust the stretching size according to the degree of fabric shrinkage, jointly working with the alternating pressing by hot and cold moulds, the wrinkling caused by sewing process and cold shrinkage of interlining and fabric can be reduced.
- Adopt PLC and user friendly touch screen for operation
- Lower mould horizontally moving in and out, upper mould vertically pressing, evenly distributed pressure and smoother pressing effect
- Two pressing modes for hot mould, i.e. light press and heavy press, are available for selection, jointly working with six independent digital thermostats for accurate temperature control to cater for different fabrics
- The cooling mould adopts an independent water cooling system, which has a fast cooling speed and excellent shaping effect
- Lower mould airbag combined with pressure-proof high temperature silica rubber, can offset the thickness difference between side seam and under armhole seam, thereby to achieve perfect pressing effect
- With independent vacuum pump to facilitate garment fixing, cooling and shaping
- Side seam pressing length 800-1050mm, side seam pressing width 23mm



1. 自動感應機械手，可輔助拉伸布料，減少側縫布料縮皺
2. 冷熱上模交替式壓熨，效率更高
3. 獨立真空抽濕泵和獨立水冷系統，有助衣物定位、冷卻，定型效果佳
4. 特別設計下模，可消除側縫壓熨時側縫與袖山底骨位的厚薄偏差

1. With automatic sensing grippers to assist in stretching the fabric to reduce shrinkage wrinkling of side seam.
2. Alternating pressing by hot and cold upper moulds for higher efficiency
3. With independent vacuum pump and water cooling system to facilitate garment fixing, cooling and shaping
4. Unique design of the lower mould can offset the thickness difference between side seam and under armhole seam



型號 Model	電源 Power Supply	總功率(kW) Total Power	發熱線功率 (kW) Heater Power	真空泵功率(kW) Vacuum Pump Power	冷水機 (kW) Chiller	壓縮空氣壓力(kgf/cm ²) Compressed Air Pressure	耗壓縮空氣量(L/min) Compressed Air Consumption	平均粘合壓力(kgf/cm ²) Average Fusing Pressure	淨重(kg) Net Weight	機身尺寸(mm) Machine Size
NS-8402C	3PH/380V/50Hz	5.9	4	1.1	0.65	5	270	2.5	820	1610x1200x2100



藝誠(余氏)發展有限公司
Ngai Shing Development Limited

香港九龍長沙灣永康街52號地下
G/F., 52 Wing Hong St.,
Cheung Sha Wan, Kln., Hong Kong.

Tel: (852) 2741 9981, 2742 0078 E-MAIL: info@ngaishing.com
Fax: (852) 2785 3149 Http://www.ngaishing.com