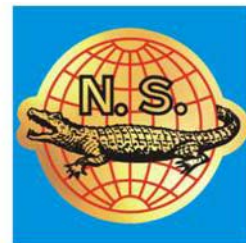


NS-3602B-1 電蒸汽熨斗(微動開關式) Electric Steam Iron (Micro Switch Type)



- 適用於梭織等服裝的執燙
- 採用電加熱配合高硬度鋁合金底板，傳熱性能優越，熨燙效果佳
- 電磁閥及微動開關輕鬆控制蒸汽，安全、可靠
- 特別配置優質氣水分離器，顯著提高蒸汽質量，提高熨燙質量

選購件：

熨斗鞋(讓您遠離布料因對溫度敏感而產生鏡面現象的煩惱)
吊熨斗彈簧(使操作更省力)

- Suitable for woven garment pre-ironing
- Electric heating in conjunction with hardened aluminum alloy bottom provide excellent heat transfer and smooth ironing effect
- With solenoid valve and micro switch for safe and reliable steam control
- Specially designed steam water separator offers high quality steam and superb ironing result

Options:

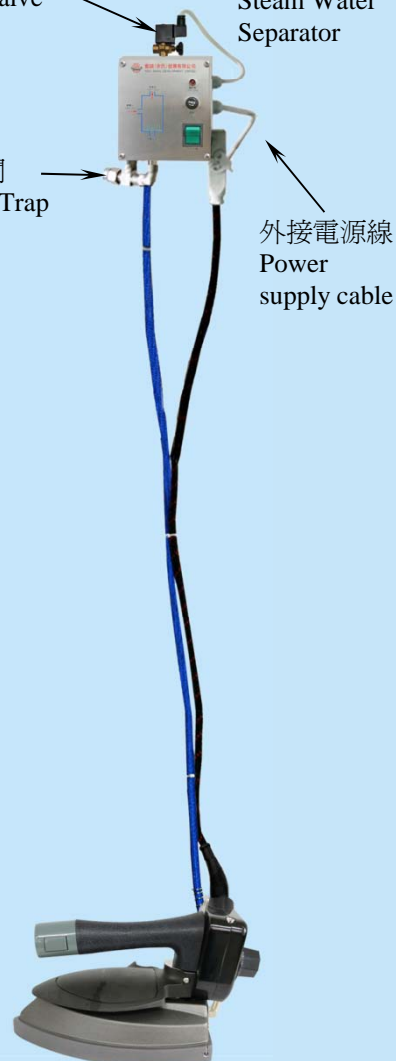
Teflon shoe (can isolate hot iron from the fabric and prevent glaze mark happening to heat sensitivity of fabric)
Iron Hanging Spring (flexible and easy operation)

直導式電動控制閥
Direct Actuating Electric
Control Valve

氣水分離器
Steam Water
Separator

疏水閥
Steam Trap

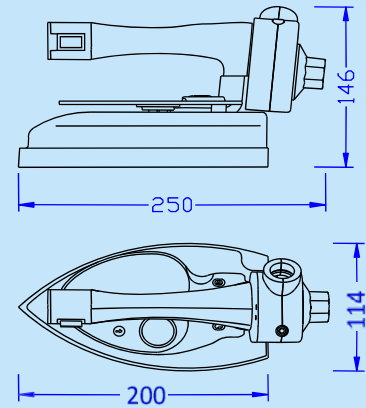
外接電源線
Power
supply cable





1. 微動式開關，操作靈活、輕巧
2. 採用溫度調控器，調校方便，最高設計溫度為200°C
3. 獨特蒸汽孔排列方式，反應快速，節省蒸汽

1. Micro switch control allows flexible and easy operation
2. With thermostat for easy temperature control and adjustment; max. design temperature: 200°C
3. Special steam hole layout, quick response, low steam consumption



熨斗尺寸簡圖 Iron Size Diagram

跟機件 Standards

<p>汽水分離器連電磁閥，疏水閥 Steam water separator with solenoid valve and steam trap AC-E-03-2</p>	<p>熨斗墊 Iron Pad C33-00082</p>	<p>3米原子喉連接頭 3M Teflon hose with fitting C17-RP-004-1M</p>	<p>0.5米原子喉連接頭 0.5m Teflon hose with fitting C17-RP-004-4M</p>	<p>布套 Cloth Sleeve APT15-00068</p>
---	---------------------------------------	---	---	--

選購件 Options

<p>熨斗鞋 Teflon Shoe C28-010-01-1</p>	<p>吊熨斗彈簧 Iron Hanging Spring C31-CES-10-33M</p>
---	---

易損件 Wearing Parts

<p>發熱片 Heater C01-HR-F-900W-3</p>	<p>溫度調控器 200°C Thermostat 200°C C01-TC-001-9</p>	<p>熨斗手柄 Iron Handle C33-DL98A-5</p>
<p>直導式電動控制閥 Direct Actuating Electric Control Valve CO2-EV-001-A02-7</p>	<p>開關組件 Switch Component C01-MS-007-6</p>	<p>疏水閥 Steam Trap C18-S-02-2E</p>

型號 Model	電源 Power Supply	總功率(kW) Total Power	最高設計溫度(°C) Max. Design Temp.	蒸汽壓力(kgf/cm ²) Steam Pressure	蒸汽開關 Steam Valve	淨重 (kg) Net Weight	熨斗底尺寸(mm) Sole Size
NS-3602B-1	1PH/220V/50Hz	0.9	200	3~5	微動開關 Micro Switch	2	200x114



藝誠(余氏)發展有限公司
Nga Shing Development Limited

香港九龍長沙灣永康街52號地下
G/F., 52 Wing Hong St.,
Cheung Sha Wan, Kln., Hong Kong.

Tel: (852) 2741 9981, 2742 0078 E-MAIL: info@ngaishing.com
Fax: (852) 2785 3149 Http://www.ngaishing.com