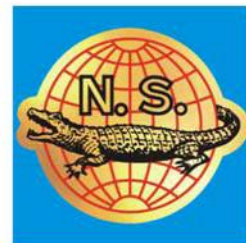


NS-3502C / NS-3507C

抽濕熨台連蒸汽爐

Vacuum Ironing Table with Boiler



NS-3502C








內置蒸汽鍋爐
Built-in steam boiler

- 配有多種規格尺寸供選擇，適用於熨燙各種衣物
- 內置小型蒸汽鍋爐，功率大，適合電蒸汽熨斗和全蒸汽熨斗，無需蒸汽工程安裝，一體化環保節能設計，使用方便，占地小
- 檯面備有發熱線和抽濕功能，使衣物更乾爽
- Suitable for ironing all kinds of garments, with a range of sizes for selection
- Built-in high-power steam generator is designed to supply steam to both electric steam iron and fully steam heated iron, no need of piping installation. All integrated in one unit, easy operation, small floor occupation
- Table with heater and vacuuming function to minimize garment moisture



Appearance of the Ironing Table with Options

NS-3502C / NS-3507C 燙臺選購件:
Options for NS-3502C / NS-3507C Ironing Tables:

<p>吊熨斗架E，適用於≤48"檯面 Iron Hanger E suitable for 48" ironing table O-E-01-5</p>  <p>吊熨斗架E，適用於54"-60"檯面 Iron Hanger E suitable for 54"-60" ironing table O-E-01-5-A</p> 	<p>單層物料架(上) Single-layer material stand(upper) O-E-04-2</p> 	<p>單層物料架(下) Single-layer material stand (lower) O-E-04-3</p> 	<p>日光燈 Fluorescent Lamp O-E-07-1</p> 
--	---	---	--

型號 Model	電源 Power Supply	檯面尺寸 Table Size	檯面發熱線功率(kW) Table Heater Power	馬達功率(kW) Motor Power	蒸汽爐發熱線功率(kW) Steam Boiler Heater Power	蒸汽壓力(kgf/cm ²) Steam Pressure
NS-3502C	3PH/380V/50Hz	32"x48"	0.6	0.9	6	4
NS-3507C		36"x48"				



藝誠(余氏)發展有限公司
Ngai Shing Development Limited

香港九龍長沙灣永康街52號地下
 G/F., 52 Wing Hong St.,
 Cheung Sha Wan, Kln., Hong Kong.

Tel: (852) 2741 9981, 2742 0078 E-MAIL: info@ngaishing.com
 Fax: (852) 2785 3149 Http://www.ngaishing.com